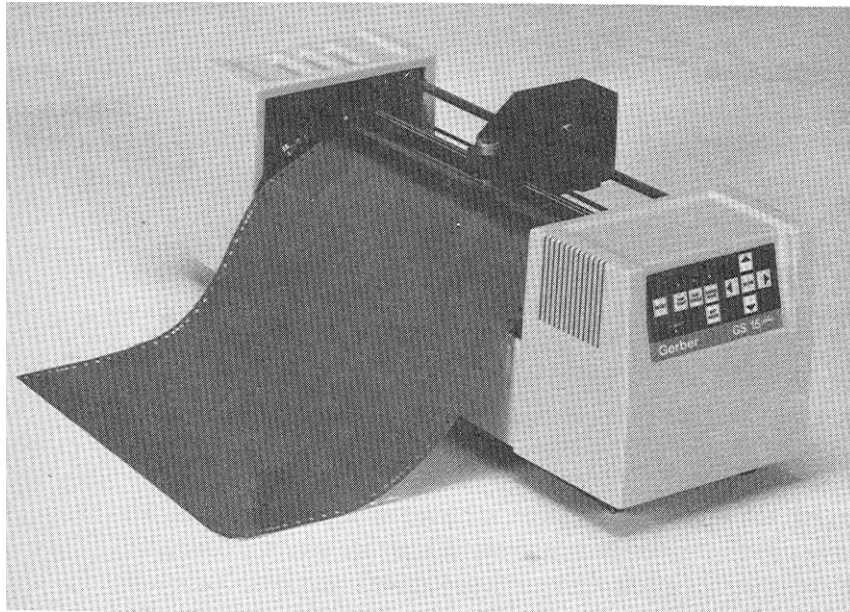


GS15 *plus*TM
USER'S MANUAL



COPYRIGHT NOTICE

COPYRIGHT 1995 Gerber Scientific Products, Inc. All Rights Reserved.

This document may not be reproduced by any means, in whole or in part, without written permission of the copyright owner.

This document is furnished to support the GS15^{plus}. In consideration of the furnishing of the information contained in this document, the party to whom it is given assumes its custody and control and agrees to the following:

1. The information herein contained is given in confidence, and any part thereof shall not be copied or reproduced without written consent of Gerber Scientific Products, Inc.
2. This document or the contents herein under no circumstances shall be used in the manufacture or reproduction of the article shown and the delivery of this document shall not constitute any right or license to do so.

PRINTED IN USA

GS15^{plus}, Knife Mode Switching, Corner Correcting Technology, IP Plus, Gerber Mask, and GERBER EDGE are trademarks of Gerber Scientific Products, Inc. GRAPHIX ADVANTAGE is a registered trademark of Gerber Scientific Products, Inc. 3-in-1 is a registered trademark of Boyle-Midway, Inc. HP-GL is a registered trademark of Hewlett Packard. 3M, ScotchCal, and Scotchlite are trademarks of 3M.

FCC NOTICE

This equipment has been tested and found to comply with the limits for a Class A digital device, pursuant to Part 15 of the FCC rules. These limits are designed to provide reasonable protection against harmful interference when the equipment is operated in a commercial environment. This equipment generates, uses, and can radiate radio frequency energy and, if not installed and used in accordance with the instruction manual, may cause harmful interference to radio communications. Operation of this equipment in a residential area is likely to cause harmful interference in which case the user will be required to correct the interference at his own risk.

This digital apparatus does not exceed the Class B limits for radio noise emissions from digital apparatus set out in the Radio Interference Regulations of the Canadian Department of Communications.

Le present appareil numerique n'emet pas de bruits radioelectriques depassant les limites applicables aux appareils numeriques de la classe B prescrites dans les Reglements sur le brouillage radioelectrique edicte par le Ministere des Communications du Canada.

TABLE OF CONTENTS

INTRODUCTION	1
Description	1
Performance.....	1
Convenience	2
Support Information	2
PACKAGE CONTENTS	5
INSTALLATION	7
Plotter Work Area	7
Connect to the Plotter.....	8
Communication Parameters.....	8
Power Cords	9
Power-Up Sequence	10
SETUP	11
Plotter Selection	11
Add Plotters.....	12
Delete Plotters	12
Assign Default Plotter	13
MATERIALS AND TOOLS.....	15
Materials.....	15
Helpful Hints.....	18
Tool Force Dial	19
Settings.....	19
Adjustments	20
TOOLS AND TOOL HANDLING	21
Storage.....	21
Tool Holders.....	21
Pen Holder and Pens.....	22
Pen Replacement.....	23
Pounce Wheel Holder.....	25
Aligned Holes	25
Off-Center Holes.....	25
Plotter Speed.....	25
Pounce Wheel Holder Installation	25

Pounce Wheel Replacement	26
Knife Holder and Blades	27
Blade Wear	27
Blade Damage	27
Knife Holder Installation	28
Blade Replacement	30
OPERATION.....	33
Power-Up.....	33
Front Panel	34
SLEW Keys	35
SLOW Key.....	35
SWIVEL KNIFE.....	36
INIT KNIFE.....	36
RUN SINGLE.....	37
RUN CONT	38
RESET	40
SPECIAL DIAGNOSTICS.....	41
Diagnostic Options	42
Wagon Wheel Test Plot	43
Square/Circle Test Plot	44
X08 Cut Test.....	45
ERROR CONDITIONS.....	47
Error Codes	48
SERVICE AND MAINTENANCE.....	49
Cleaning and Lubrication	49
Tool Holders and Carriage Spindle Bore.....	49
Carriage and Ball Bushing	50
Sprockets and Bail Arms	52
Fuse Replacement.....	53
PLOTTER ADJUSTMENTS	55
Troubleshooting Guide.....	56
Z Axis (Tool Height) Adjustment	57
Symptoms.....	57
Objective	57
Adjustment Procedure.....	57
Theta Axis (Tool Rotation) Adjustment	61
Symptoms.....	61

Objective	61
Adjustment Procedure.....	61
X Axis Belt Adjustment	66
Symptoms.....	66
Objective	66
Adjustment Procedure.....	66
Y Axis Backlash Adjustment	69
Symptoms.....	69
Objective	69
Adjustment Procedure.....	69
Drum End Play Adjustment.....	73
Symptoms.....	73
Objective	73
Adjustment Procedure.....	73

INTRODUCTION

Description

The GS15^{plus}™ is a state of the art 15-inch (38.1 cm) plotter designed for use with the GRAPHIX ADVANTAGE® system and other sign design systems.

Note: When used with GRAPHIX ADVANTAGE systems, the GS15^{plus} requires GRAPHIX ADVANTAGE 4.3 or higher. When GS15^{plus} is used with other sign design systems, contact the system manufacturer to obtain a driver for the GS15^{plus}.

The GS15^{plus} features Gerber's exclusive Knife Mode Switching™ Technology, which offers the operator a choice of two cutting modes selectable from the plotter keypad:

- **Tangential Knife Mode** keeps the blade aligned with the direction of plotting motion for cutting thick materials such as sandblast stencil and for pouncing patterns.
- **Swivel Knife Mode** is used for rapid cutting of all but the most demanding materials such as sandblast stencil. Gerber's exclusive Corner Correcting Technology™ assures sharp, easy-to-weed corners in swivel knife mode.

Performance

The GS15^{plus} is designed to precisely register graphics up to 50 yards (45.7 meters) long using carbide blades for crisp, sharp cuts.

When used with the GRAPHIX ADVANTAGE, the GS15^{plus} uses the Plot Spooler feature to receive and plot files while the operator continues to design at the system.

Convenience

GS15^{plus} has many features that make it easy and convenient to use:

- Accepts any standard Gerber materials in 15-inch (38.1 cm) wide rolls.
- Draws, cuts and pounces up to 12.75 inches (32.4 cm) high. Using the GRAPHIX ADVANTAGE system Panel feature, the GS15^{plus} can cut text or graphics in strips up to 96 feet (29.3 meters) long and 12.75 inches (32.4 cm) wide.
- Adjustable tool force for uniform cutting with the turn of a dial.
- Stepper motor drive for consistent performance and easy maintenance.
- On-board 4K buffer in addition to GRAPHIX ADVANTAGE buffers.
- Quick installation.
- Simple to use keypad requires minimum training.

Support Information

Gerber pioneered plotter technology with quality engineering designs that consider operator convenience. Performance of the GS15^{plus} plotter is assured by:

- 24 hours of finished product testing before shipment, in addition to testing during the manufacturing process.
- Customer support through Gerber Field Service Department.
- Step-by-step user's manual.



If you require assistance installing or operating the GS15^{plus} plotter, contact your distributor or GSP Field Service Department at 800-828-5406 (in the USA), or fax at 203-645-2448.

About This Manual

This manual explains the installation and operation of the GS15^{plus} plotter. It tells you how to assemble, install, operate, and maintain your GS15^{plus} as follows:

- The "Introduction" provides information about the GS15^{plus} and a list of contents of the shipping crates.
- "Installation" contains instructions for plotter assembly, installation, and connection to the GRAPHIX ADVANTAGE.
- "Setup" contains instructions for adding the plotter to the GRAPHIX ADVANTAGE.
- "Materials and Tools" gives information about materials, loading the vinyl, and using the tool force dial.
- "Tools and Tool Handling" discusses procedures on using and replacing the pens, knives, and pounce wheel.
- "Operation" provides information about plotter operation and slew key functions.
- "Special Diagnostics" presents examples and instructions for diagnostic tests.
- "Error Conditions" lists common error conditions and corrective procedures.
- "Service and Maintenance" provides cleaning, lubricating, and fuse replacement instructions.
- "Plotter Adjustments" includes a troubleshooting guide as well as symptoms of plotter adjustment problems.

Conventions

The following conventions are used in this manual:

Note: A note contains important information which could affect successful completion of a task.

CAUTION: A caution statement contains information which, if not observed, could result in damage to the equipment.

WARNING: A warning statement contains information which, if not observed, could result in personal injury.

PACKAGE CONTENTS

This section lists the contents of the GS15 ^{plus} shipping container. As you unpack the GS15 ^{plus} plotter, inspect all items for damage that may have occurred during shipping. Report any damage to your dealer at once. Save all packaging materials in case it becomes necessary to transport the plotter at a future date.

The GS15 ^{plus} package contains the following:

- GS15 ^{plus} plotter assembly
- Roll holder
- Small components consisting of:
 - 1 10-yard roll vinyl (US only)
 - 1 Plotter power cord
 - 1 10-foot RS-232 cable
 - 2 fuses
 - 1 Vinyl letter squeegee
 - 1 User's manual
 - 1 Warranty card
 - 1 Service contract
 - 1 Swivel knife holder with blade
 - 1 Spare swivel knife blade
 - 1 Tool kit
 - 1 Paper sample (International only)

Contents: Tool Kit

- 1 Pen holder with pen
- 1 Tangential knife holder with blade
- 1 Pounce wheel holder
- 3 Tool lift washers (on tool holders)
- 1 Allen wrench
- 1 Pair tweezers
- 1 Spare red pen
- 1 Spare blue pen
- 1 Envelope containing 2 spare lift washers
- 3 Spare cone-shaped tool caps
- 1 Capsule containing:
 - 2 Spare knife blades
 - 1 Spare pounce wheel
 - 1 Pen height gage

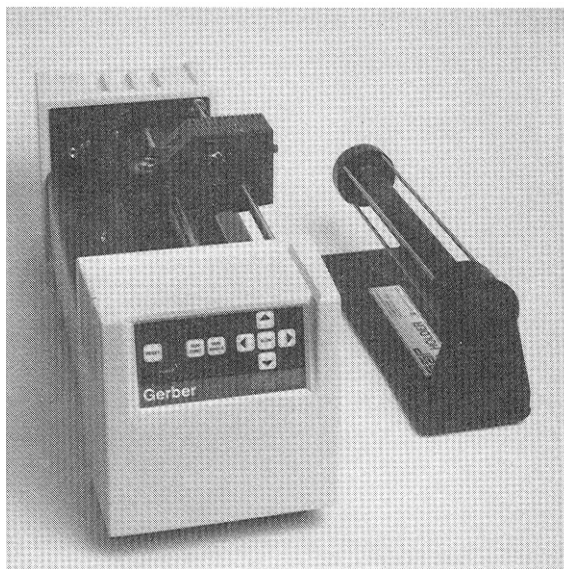
INSTALLATION

Please unpack the plotter boxes and inventory the contents before you begin to assemble the plotter. Follow these instructions to install the GS15^{plus} plotter to any GRAPHIX ADVANTAGE. Installation of the GS15^{plus} to other sign design systems is described separately.

Note: Should you experience difficulty during installation of the GS15^{plus} to the GRAPHIX ADVANTAGE system, contact Gerber Field Service Department at 800-828-5406.

Plotter Work Area

1. Carefully remove the GS15^{plus} from its packaging materials and place it near the GRAPHIX ADVANTAGE system. The cable is 10 feet long, so the plotter need not be located immediately beside the console; however, it should be close enough so there will be no strain on the cable after installation.
2. Place the material roll holder next to the plotter on the right side.



Connect to the Plotter

CAUTION: Be sure power is turned off and the power cord is unplugged at both the GRAPHIX ADVANTAGE and the plotter.

1. Insert the 9-pin connector at the end of the RS-232 cable into the 9-pin RS-232 connector on the back of the GRAPHIX ADVANTAGE. This connector is normally labeled Plotter or COM Port 2.
2. Carefully align all pins. Use the connector thumb screws to secure the cable to the system.
3. Insert the 25-pin connector at the end of the RS-232 cable into the 25-pin RS-232 connector on the back of the plotter.
4. Carefully align all pins. Secure the cable to the plotter with the connector thumb screws.

Note: If a plotter is already installed in the PLOTTER port on the GRAPHIX ADVANTAGE, use the TABLET port to install a second plotter.

Communication Parameters

If you are connecting the GS750^{plus} to a system other than the GRAPHIX ADVANTAGE, the plotter uses these RS-232 communication parameters:

Communication Parameters
9600 Baud
No Parity
8 Data Bits
1 Stop Bit
Xon/Xoff Flow Control

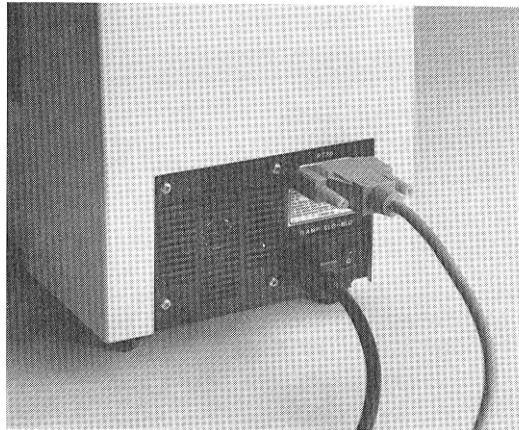
The plotter has a 25DB female connector with these pin assignments:

Pin	Signal
2	Tx
3	Rx
4	RTS
5	CTS
7	Sig Gnd

All other pins are not connected.

Power Cords

1. Insert the female connector of the GS15 ^{plus} plotter power cord into the socket on the rear panel of the plotter.



2. Connect the power cords for both the GRAPHIX ADVANTAGE system and the GS15 ^{plus} to the multiple outlet strip included with the GRAPHIX ADVANTAGE. The strip should be plugged into a standard, grounded electrical outlet (115V +/- 10% AC, 60 Hz or 230V AC, 50 Hz).
3. Turn power on at the system and the plotter.

CAUTION: When the power is on, never try to manually move the carriage, move the drum, rotate the tool, or force the tool up or down. Attempting to manually move the GS15^{plus} in any axis of movement while the power is on may damage the plotter.

Power-Up Sequence

When the GS15^{plus} is turned on, the following sequence occurs:

1. A short beep sounds, the Power light comes on, and the RUN CONT, RUN SING, and SWIVEL KNIFE lights blink.
2. As the GS15^{plus} performs self-check tests, the lights over the RUN and SWIVEL KNIFE keys flash, and one additional beep sounds.
3. When the self-check is complete, the lights blink and a beep sounds.
4. The plotter goes off-line in tangential knife mode. Only the Power light remains on. This is the initial setting at power-up.

Note: Rapid, continuous beeping and flashing lights may signal a self-check error. See the "Error Conditions" section for more information.

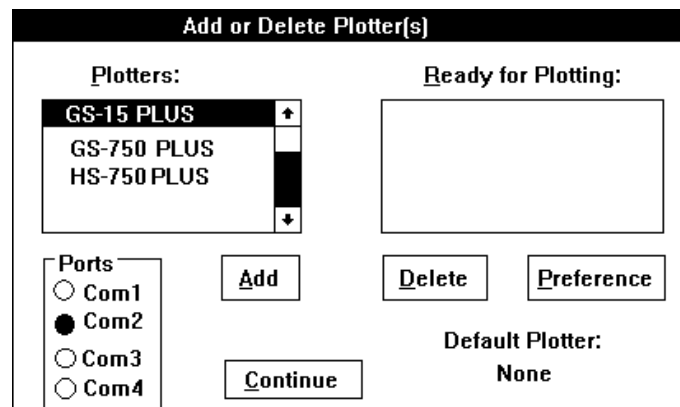
SETUP

After connecting the plotter to the GRAPHIX ADVANTAGE, you will use the GSP Setup program in GRAPHIX ADVANTAGE to make the GS15^{plus} accessible.

Note: When the GS15^{plus} is used with sign design systems other than GRAPHIX ADVANTAGE, contact the system manufacturer to obtain a driver for the GS15^{plus} and for setup information.

Plotter Selection

1. Double-click on the GSP Setup icon to open GSP Setup.
2. Click on Setup. The Setup drop-down menu appears.
3. Click on Plotter. The Add or Delete Plotter(s) dialog box appears.



4. Click on GS15^{plus} in the Plotters list box to highlight it.
5. Click on the port to which the plotter is connected (COM1, COM2, COM3, or COM4) in the Ports box.
6. Click on Add. GS15^{plus} appears in the Ready for Plotting list box. Your system is now set up to use the GS15^{plus} plotter.

Note: The Default Plotter note in the lower right corner of the dialog box tells you the name of the plotter your jobs will be sent to unless otherwise specified in the Plot program.

7. Click on Continue. The screen will return to the GSP Setup Menu.
8. Double-click on the Control Bar to exit the GSP Setup Menu. The system will return to the GSP GRAPHIX ADVANTAGE program group and you can now access the GS15^{plus} plotter.

Add Plotters

Multiple plotters can be added to your system. They must be added one by one.

1. Click on the plotter you wish to add from the plotters list box.
2. Click on the port it will be connected to.
3. Click on Add. The highlighted plotter is added to the Ready for Plotting list box.

Note: For each plotter you add, a number is added after the plotter model number (for example, GS 15-1 for the first plotter added, GS 15-2 for the second).

Delete Plotters

To remove plotters from the system:

1. In the Ready for Plotting box, click on the name of the plotter to be deleted.
2. Click on Delete.

Assign Default Plotter

A default plotter can be assigned if more than one plotter is connected to the GRAPHIX ADVANTAGE.

Note: There must be two or more plotter names in the Ready for Plotting box to select a default plotter. If only one plotter is installed to the GRAPHIX ADVANTAGE system, that plotter will automatically be assigned as the default plotter.

1. Highlight the name of the desired default plotter in the Plotters box.
2. Click on Preference.
3. Click on OK. The name of the default plotter selected will appear below the words *Default Plotter*.
4. Click on Continue. The screen returns to the GSP Setup menu.
5. Double-click on the Control Bar to exit the GSP Setup menu. The system will return to the GSP GRAPHIX ADVANTAGE program group.

MATERIALS AND TOOLS

Materials

The GS15 ^{plus} uses the same plotting materials as all Gerber plotters. Gerber vinyl products in high performance or intermediate grades are available in translucent, reflective, or metallic finishes and come in a wide range of colors. Also available are direct-cut screenprint stencil, ruby photo film, paint masking material, rubber sandblast stencil material and heat transfer materials. Consult your Gerber distributor for further information about available materials, colors and prices. Always insist on Gerber authorized materials for highest quality results.

► **To load material**

CAUTION: it is recommended that you load material without a tool in the carriage to prevent damaging the knife blade.

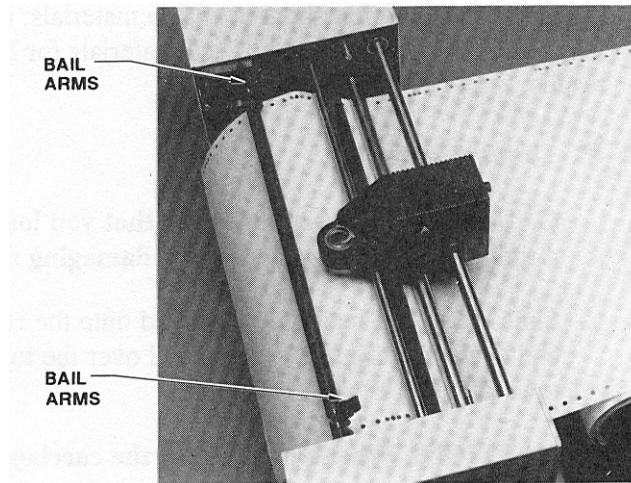
1. Slide the roll of material to be used onto the roll holder. Pull the end of the material away from and over the top of the roll holder toward the plotter.

CAUTION: when power is on, the carriage spindle must be moved only by using the slew keys. attempts to manually move the plotter drum, rotate or force the tool up or down will damage the plotter.

CAUTION: While power is off, center the carriage by gently pushing toward the center of its travel. Take care to move the carriage slowly and firmly by gripping the right end of the carriage housing, not by gripping the carriage spindle.

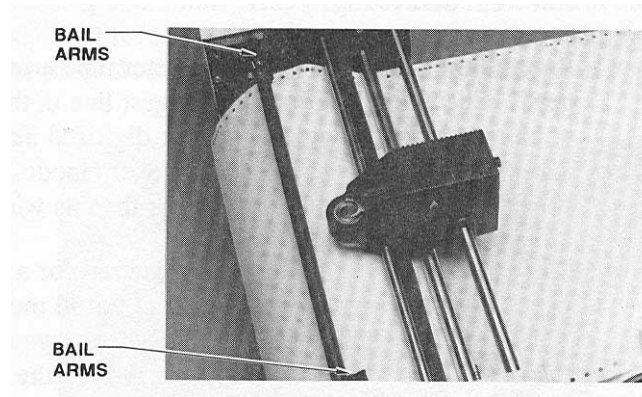
CAUTION: Do not use the way shafts to lift or turn the GS15 ^{plus}. This will damage the system and reduce plotting accuracy.

2. Center the carriage spindle preferably by using the slew keys (see "Front Panel" section) or manually, with certain precautions as outlined here. Be sure that the carriage spindle is not located at either extreme end of its travel and that both ends of the rubber drum can be reached easily.
3. Open the bail arms at either end of the drum by pulling them up and away from the drum.
4. Using the slew (arrow) keys, rotate the drum until three closely spaced pins are visible. These three sprocket pins are used to align the material.

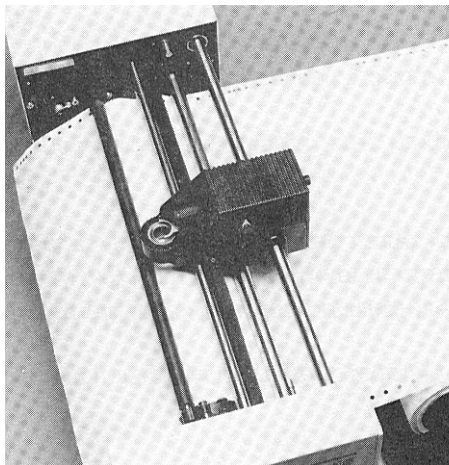


► **To feed and align material**

1. Feed material under the black cam shaft and over the rubber drum. See the illustration below.



2. Place the holes in the material over the sliding sprocket pins first. Match the three closely spaced sprocket pins and holes.
3. Slide the material and the sliding sprocket to reach the fixed sprocket and place the material over these sprocket pins.
4. Center the bail arms over the sprockets. Move the adjustable bail arm at the rear of the plotter slightly forward or backward to accommodate small differences in the material width. Securely close the front bail arm first and then the rear bail arm.

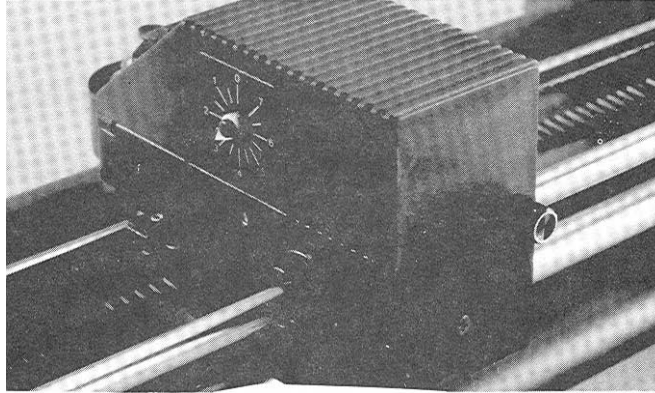


HELPFUL HINTS

- When you change materials, open the bail arms and roll the material back onto the roll. Tape the ends securely to prevent the roll from unraveling.
- Before unrolling vinyl for a job, determine how much material you need. Check the length of the longest line in the job, or the width of an automatically laid out sign or digitized design. Remember that if you are plotting in the Axis Swap mode, you need to consider the height of the job rather than its width.
- The most practical way to unroll material for a job is to use the slew keys on the plotter. It is best to unroll more than enough material, rather than "just enough," in case your estimate is not accurate. You may also pull material from the roll by hand. This may be the simplest method if you are plotting relatively small jobs.
- When you have advanced enough material for the job, feed it back through the plotter, or otherwise position it appropriately according to the tool start position selected from GRAPHIX ADVANTAGE. If you have a large quantity of material piling up on the table, be sure to arrange the material in loose accordion folds so it can feed easily. Make sure the material is positioned to feed straight into the plotter rather than at an angle.

Tool Force Dial

The tool force dial on the front of the housing indicates the tool force setting and the amount of tool force, or pressure, that is applied to the tool during operation. This pressure ensures uniform cuts and pen lines. Tool force can be adjusted by turning the small knob on the end of the tool force housing, as shown in the illustration below.



SETTINGS

The *Plotter User Reference Card* at the end of this manual lists approximate tool force settings. Be sure to refer to this list of settings when changing materials or applications. Below are some initial suggestions:

- For drawing, start with a tool force setting of about .5. If your pen does not make a clear dark line, you may wish to increase the tool force setting.
- For pouncing, start with a setting between 5 and 6.
- When cutting regular vinyl in tangential knife mode, try a tool force setting of 1.
- When cutting regular vinyl in swivel knife mode, set the tool force setting at 1. The swivel knife will not pivot at corners and will begin to cut through the material if the pressure is set too high.
- Heavier material, such as reflective vinyl, requires increased tool force settings.

- Worn blades require increased tool force settings.
- Before cutting, refer to the *Plotter User Reference Card* at the back of this manual for suggested tool force settings for different tools and materials. Set the tool force accordingly. If you find that different tool force settings produce more satisfactory results with your particular system, tools, and materials, be sure to mark the preferred settings on your card for future use.

ADJUSTMENTS

Several factors affect tool force and require setting changes:

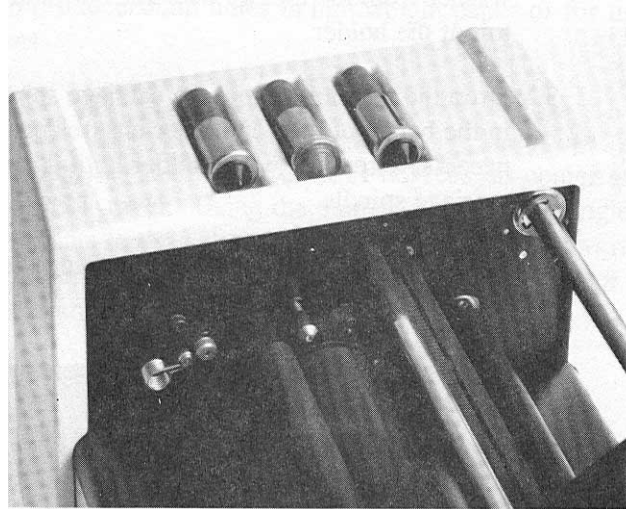
- Type of material — See *Plotter User Reference Card*.
- Knife mode and tool — Drawing, pouncing, and cutting, knife mode, and blade angle all affect the tool force setting
- Blade wear — Increase tool force after several thousand cuts.

Gerber recommends experimenting with tool force settings as well as keeping a logbook of the settings. Refer to the *Plotter User Reference Card* for guidelines.

TOOLS AND TOOL HANDLING

Storage

A tool rack is molded into the rear cover of the GS15 *plus*. The pen holder, knife holder and pounce wheel holder may be removed from the tool kit and stored here for easy access.



Tool Holders

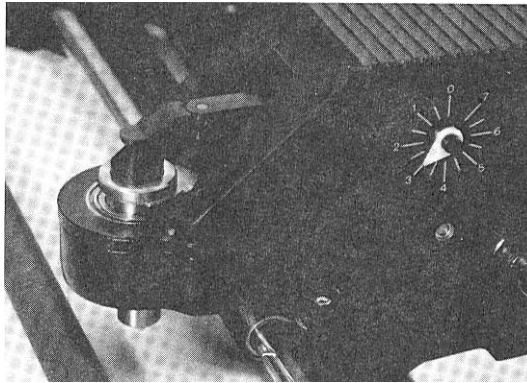
For quick identification, each tool holder has a different colored cap. The cap helps lock the tool in place in the carriage spindle during operation. In addition, red sleeves protect tool tips from accidental damage during storage. Remove the protective sleeve before installing a tool holder in the carriage spindle.

Pen Holder and Pens

The pen holder is shipped with a black pen installed. After loading the plotting paper, install the pen holder in the carriage spindle as follows:

► *To install the pen holder*

1. Select the pen holder with pen installed from the tool rack molded in the rear cover.
2. A plastic lift washer is used to reduce friction between the tool holder and the lift fork of the carriage spindle during operation. There should be one installed on the pen holder. If not, slip a lift washer from the tool kit over the barrel and slide the washer to the top of the holder.
3. Drop the pen holder into the carriage spindle. A slot, or keyway, in the barrel of the pen holder ensures proper orientation. If necessary, rotate the pen holder until it drops completely into the carriage spindle.
4. When the pen holder is in place, swing the tool force arm and snap it over the cone-shaped cap.



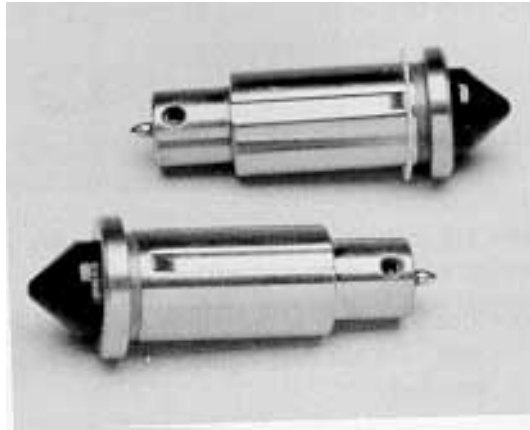
5. For plotting, start with a tool force setting of about .5. If the pen does not make a clear, dark line, increase the tool force setting.

PEN REPLACEMENT

Spare pens in blue and red are included in the tool kit. Additional pens are available through a Gerber distributor.

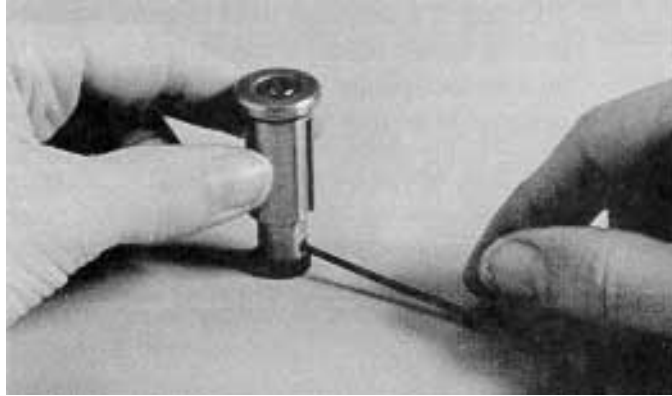
► **To replace a pen**

1. Insert a flat-tip screwdriver into the notch at the base of the cone-shaped cap (see below). Pry out the cap.



2. Use the Allen wrench supplied with the tool kit to loosen the hex screw located near the tip of the pen. Remove the pen through the top of the holder.
3. Insert a new pen, tip first, into the top of the holder.
4. The pen height gage included with the tool kit is a washer 1/8" thick. Place the pen height gage on a smooth, hard surface like a table top. Position the lower end of the pen holder on the gage.

5. Push down on the upper end of the pen until the point just touches the table surface.



6. Use the Allen wrench to tighten the set screw near the tip of the pen. Do not over-tighten the set screw or the pen could be crushed.
7. Replace the cap in the barrel.

Pounce Wheel Holder

Pouncing is a technique used to create an outline for a sign that will later be hand-painted. Pouncing can also be used to align vinyl letters on a large job. The pounce wheel is designed to pounce (perforate) holes either perfectly aligned or off-center to the direction of travel.

CAUTION: The pounce wheel may be used only in tangential knife mode. Pouncing in swivel knife mode will tear the paper.

ALIGNED HOLES

There are two keyway slots on the barrel of the pounce wheel holder. The standard keyway aligns the pounce with the drum axes. Use this position to produce small holes in lightweight paper or for light dusting applications.

OFF-CENTER HOLES

The second keyway holds the tool at 11 degrees off-center to the direction of tool travel. Using the pounce wheel in the angled position causes the points to drag slightly as the wheel moves forward. This produces larger, slightly elongated holes suited for heavy or clay-coated paper and for bold dusting applications.

PLOTTER SPEED

In the straight (aligned) position, the pounce wheel works best at reduced plotter speeds. The angled (off-center) position produces distinct holes at any plotting rate up to full speed. See the *GRAPHIX ADVANTAGE Reference* for more information on controlling the plotter speed.

POUNCE WHEEL HOLDER INSTALLATION

► *To install the pounce wheel holder*

1. Select the pounce wheel holder from the molded tool rack in the rear cover.

2. A plastic lift washer is used to reduce friction between the tool and the lift fork of the carriage spindle during operation. There should be one installed on the pounce wheel holder. If not, slip a lift washer from the tool kit over the barrel and slide the washer to the top of the holder.
3. Hold the pounce wheel holder upright over the carriage spindle. Rotate the barrel until the desired keyway is oriented above the protruding key inside the carriage spindle. Lower the pounce wheel holder into the carriage spindle.
4. When the pounce wheel holder is in place, swing the tool force arm and snap it over the cone-shaped cap.
5. Check the pounce wheel position by looking under the carriage to make sure the wheel is oriented at the desired angle.
6. Pouncing generally requires higher tool force settings than drawing or cutting. To begin, set the tool force dial between 5 and 6. Adjust, if necessary, for paper thickness or desired hole size. Reduce plotter speed if pouncing small holes.

POUNCE WHEEL REPLACEMENT

One pounce wheel supplied is installed in the tool holder, and a spare is included in the tool kit.

► *To replace the pounce wheel*

1. Using the Allen wrench from the tool kit, remove the hex screw that serves as the wheel's axle.
2. Remove the old wheel. Position the new wheel in the holder.
3. Slide hex screw through holder and wheel (as an axle) and tighten.

Knife Holder and Blades

Gerber blades are extremely wear-resistant. In testing, over 10,000 one-inch letters were cut using a single blade before testing was discontinued with the blade still cutting satisfactorily. Other blade manufacturers have attempted, unsuccessfully, to duplicate this cutting precision and durability. Gerber warrants cutting quality of the GS15^{plus} only when Gerber blades are used.

BLADE WEAR

The knife blade will dull slightly after cutting thousands of characters. Blade wear is always a gradual change. Adjusting tool force will extend blade life for a period of many days and even weeks of use.

BLADE DAMAGE

CAUTION: Carbide blades are brittle and can be ruined by the slightest chip of the cutting tip.

Because they are ground to a controlled length, the blades cannot be resharpened. A sudden decline in cutting quality indicates that the knife blade is chipped. Replace and discard any chipped blade.

KNIFE HOLDER INSTALLATION

The GS15^{plus} comes with two different types of knife holder:

- **Swivel Knife** - Used to cut all but the thickest materials, such as sandblast stencil, at high speed.
- **Tangential Knife** - Used to cut all materials, including sandblast stencil. The tangential knife can be used with either 30°, 45° or 60° blades.

► **To install a knife holder**

1. Load vinyl or other material.
2. Select the knife holder that matches the knife mode you want to use.
3. A plastic lift washer is used to reduce friction between the tool holder and the lift fork of the carriage spindle during operation. There should be one installed on the knife holder. If not, slip a lift washer from the tool kit over the barrel and slide the washer to the top of the holder.

CAUTION: Carefully install the knife holder, taking care not to strike the tip of the blade against the bore of the carriage spindle.

4. A slot, or keyway, in the barrel of the knife holder ensures proper orientation. If necessary, rotate the knife holder until it drops completely into the carriage spindle.
5. When the knife holder is in place, swing the tool force arm and snap it into place over the cone-shaped cap.
6. Select a tool force setting appropriate for material and blade. Approximate tool force settings for cutting other vinyl materials are listed in the following chart. (See *Plotter User Reference Card*.)

Suggested Tool Force Settings

Material	Recommended Starting Tool Force	Tangential Knife Blade	Swivel Knife Blade
Controltac 180 Delux 210 Gold/Silver Dusted Crystal 210 Florescent 210 Scotchcal™ 220 Translucent 230	.05-1	30 °	GS 35°
Gerber Cal® Gerber IP Plus GerberMask™ I & II Heat Transfer Flock Hot Split Plastisol Metalized Polyester	1	30°	GS 35°
Screen Print Static Cling	.05	30°	GS 35°
Sandblast 521 Sandblast 522	4-5	45° or 60°	

To determine if adjustment of the tool force setting is required, consider that:

- The weed should peel off easily.
- There should be no cuts through the backing material.

When in swivel knife mode, use the minimum tool force setting that cuts satisfactorily. Too much force will reduce edge quality.

BLADE REPLACEMENT

Five carbide knife blades are included with the GS15^{plus}:

- one installed in the tangential knife holder
- two tangential knife spares
- one installed in the swivel knife holder
- one swivel knife spare

Extra blades and special angled blades for sandblast vinyls are available from your Gerber distributor.

WARNING: The blade is very sharp. Take care when handling the knife holder and blade.

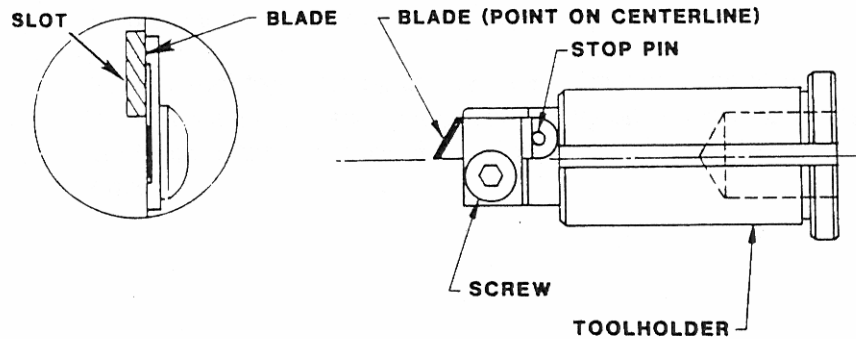
CAUTION: Blades are fragile and can break. Do not use tools to handle new blades.

The replacement procedures for the tangential and swivel knife blades are different.

► **To replace the tangential knife blade**

1. Loosen the hex screw with the Allen wrench from the tool kit.
2. Carefully remove the old blade.
3. Install the replacement blade in the slot provided, not riding up on either edge.

Gently seat the flat end of the blade against the pin stop with the blade point toward the center of the tool. Retighten the hex screw.



► **To replace and adjust the swivel knife blade**

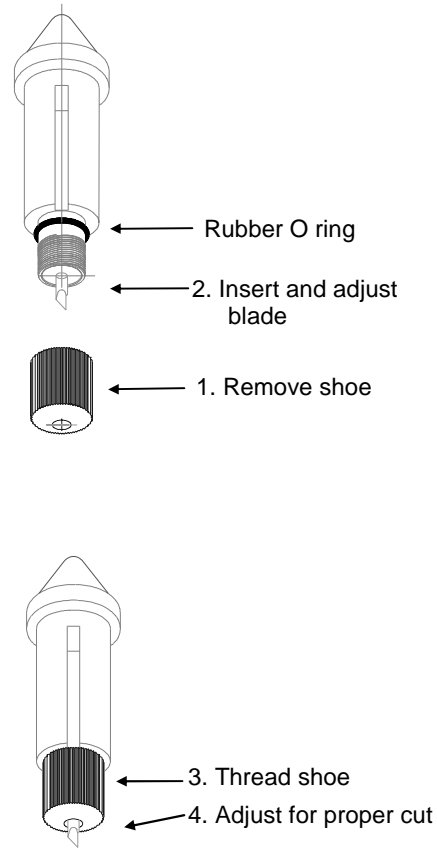
1. Remove the plastic adjustment shoe from the base of the tool holder by rotating it counter-clockwise until it comes completely off the tool holder. Leave the rubber O ring in place.

With the shoe removed, carefully remove the old blade by grasping it with needle nose pliers and pulling gently.

Install a new blade in the hole provided, pushing the blade in gently until completely seated.

Carefully thread the shoe onto the knife holder, turning it clockwise until it is fully seated. This will fully expose the knife blade.

Rotate the shoe counter-clockwise until approximately .005 inches (about the thickness of two sheets of paper) of the knife is showing.



OPERATION

Power-Up

When the GS15^{plus} is turned on, the following sequence occurs:

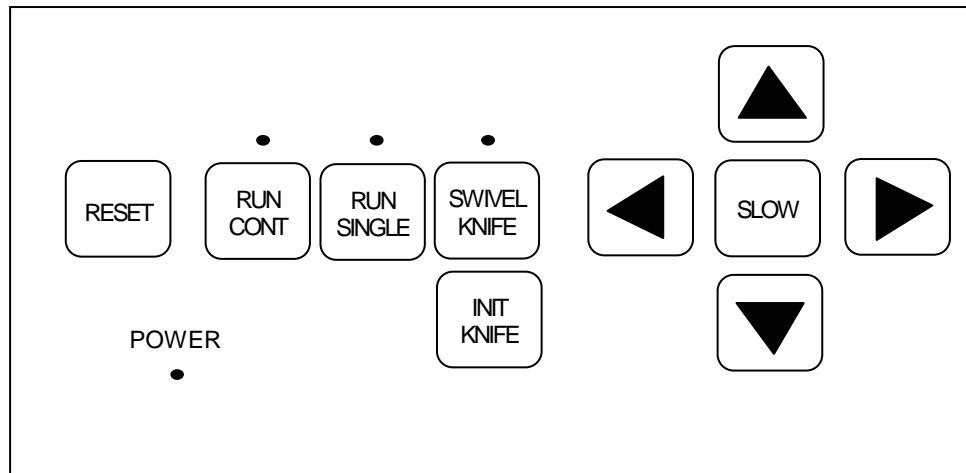
1. A short beep sounds, the Power light comes on, and the RUN CONT, RUN SING, and SWIVEL KNIFE lights blink.
2. As the GS15^{plus} performs self-check tests, the lights over the RUN and SWIVEL KNIFE keys flash, and one additional beep sounds.
3. When the self-check is complete, the lights blink and one beep sounds.
4. The plotter goes off-line in tangential knife mode. Only the Power light remains on. This is the initial setting at power-up.

Note: Rapid, continuous beeping and flashing lights may signal a self-check error. See the "Error Conditions" section for more information.

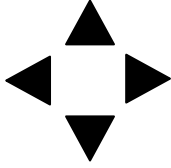
Front Panel

The GS15^{plus} front panel keys shown below are used to perform all of the following operations:

- Position the carriage and material.
- Put the plotter on-line for drawing, cutting, and pouncing.
- Select single or continuous job processing.
- Select knife mode.
- Initialize the knife tool.
- Access diagnostic modes, as needed. See the *Special Diagnostics* and *Error Conditions* sections for more information.



A further explanation of key functions and several test exercises follow.

SLEW KEYS

Use the left and right slew keys to unroll material before plotting, to position the tool for plotting, and to position the carriage and material between jobs.

Press the up or down slew keys to move the carriage between the rear and the front of the plotter.

Press the left or right slew keys to rotate the drum and feed material through the plotter or back toward the roll holder.

SLOW KEY

Use the SLOW key to access slow slew mode. Slow slew mode moves the platen or tool one step at a time, which simplifies precise registration of artwork produced by the GERBER EDGE™. In normal or slow mode, the platen or tool move continuously as long as the arrow keys are pressed.

► **To use the slow slew feature**

1. Press the SLOW key to select slow slew mode. You will hear a single beep indicating the plotter is in slow slew mode. When you press an arrow key, the platen or tool will move a single step at a time. When you press an arrow key, the drum or carriage will move at a very slow speed as long as you hold the key down.
2. Press the SLOW key again to return to normal mode. You will hear two beeps indicating the plotter is in normal slew mode. When you press an arrow key, the platen or tool will move continuously as long as you hold the key down.

Note: The arrows and SLOW keys do not function during the following conditions:

- *while a job is plotting*
- *during an error condition*
- *if a RUN light is on, even if the plotter is idle.*

SWIVEL KNIFE



Press the SWIVEL KNIFE key to select knife mode:

- When the swivel knife mode is selected, the light over the SWIVEL KNIFE key is on.
- If the tangential knife mode is desired, the light must be off.
- Press SWIVEL KNIFE to turn the light on and off.

Use swivel knife mode for most cutting except for demanding material such as sandblast stencil. Use tangential knife mode for cutting thick materials such as sandblast stencil and for pouncing patterns.

Note: You cannot change knife mode in the midst of a job; the plotter must be between jobs. You must take the plotter off line to switch knife modes.

INIT KNIFE



Use the INIT KNIFE key to initialize the swivel knife so that the blade faces 0°. Press the INIT KNIFE key after loading the swivel knife and selecting swivel knife mode.

CAUTION: Pressing INIT KNIFE when in swivel knife mode lowers the knife into the vinyl and cuts a very short line. It is important to have material loaded in the plotter so that the knife does not cut the drum surface.

Note: You should initialize the swivel knife before every job if you have changed material, or after a new tool has been installed.

RUN SINGLE

Plot



Use RUN SINGLE to plot a single job. This plot mode allows the operator to reposition material between jobs and/or to pen plot using paper before cutting vinyl. RUN SINGLE may be used with either swivel knife mode or tangential knife mode.

1. Press SWIVEL KNIFE to select a knife mode. (For swivel knife mode, the light over the SWIVEL KNIFE key is on. For tangential knife mode, the light is off.)
2. Press RUN SINGLE. The light over the RUN SINGLE key comes on and the GS15 ^{plus} plots a single job. If other plot files are received from the GRAPHIX ADVANTAGE while the first job plots, then a waiting list, or *queue*, of these jobs is created.
3. The GS15 ^{plus} returns to the off-line status after the job plots. It remains in the knife mode selected.
4. The GS15 ^{plus} waits for the operator to press the RUN SINGLE key again to plot the next job. If other jobs are lined up in the queue, the green lights above the two RUN keys will flash.

Controlled Stop

Use RUN SINGLE (or RUN CONT) to pause plotting and check the current job.

1. Press the currently selected RUN key during a job to pause the job. The GS15 ^{plus} stops the job at the next logical break in the program.

Note: Do not use slew keys or orientation for the current job will be lost.

2. Press either RUN key to resume plotting at the exact same point.

Single Plot Exercise

1. Turn on the GS15^{plus}. Load plotting paper, test the pen manually, install the pen holder, and set the tool force to .5.
2. Using the slew keys, position the carriage spindle approximately 1" from the front edge of the plotting paper. Also, be sure that there are several inches of paper extending past the carriage spindle and to the left of the plotter.
3. Send a plot file to the GS15^{plus} plotter.
4. Press the RUN SINGLE key to plot the test exercise.

RUN CONT



Use RUN CONT to access the continuous plotting mode and maximize the plotter's productivity.

► To plot in continuous mode

1. Select either swivel or tangential knife mode by pressing the SWIVEL KNIFE key. When swivel knife mode is selected, the light above the SWIVEL KNIFE key is on.
2. Press RUN CONT. The light above the RUN CONT key comes on and the GS15^{plus} plots one job after the other without waiting for user prompting between the jobs.
3. The GS15^{plus} creates a waiting list, or queue, of jobs to be plotted. When one job finishes plotting, the next job waiting in the queue begins immediately.
4. When all jobs in the queue are plotted, the GS15^{plus} remains on-line until the operator presses either RUN key or the RESET key to return to off-line status.

Controlled Stop

Use RUN CONT (or RUN SINGLE) to pause plotting and check the current job.

► To stop a continuous mode plot

1. Press either RUN key. The GS15^{plus} stops the plot at the next logical break in the program. Do not use slew keys or orientation for the current job will be lost.
2. Press either RUN key to resume plotting at the exact same point.

Continuous Plot Exercise

1. Turn on the GS15^{plus}. Load plotting paper, install the pen holder, and set the tool force to .5.
2. Select either swivel or tangential knife mode by pressing the SWIVEL KNIFE key. When swivel knife mode is selected, the light above the SWIVEL KNIFE key is on.
3. Using the slew keys, position the carriage spindle approximately 1" from the front edge of the plotting paper. Be sure that there are several inches of paper extending past the carriage spindle and to the left of the plotter.
4. Prepare two plot files. If using a GRAPHIX ADVANTAGE to prepare the files, in the Plot Program choose a left Start Position and a right End Position for both plots before sending them to the plotter. This will prevent the files from plotting on top of each other. If using another layout program, be sure to position the files so they will not plot on top of each other.

*Note: Entering an X,Y pre-position in the Plot Program is another way to be sure that plots done in the RUN CONT mode will not plot on top of each other. (See **GRAPHIX ADVANTAGE Reference.**)*

5. Press the RUN CONT key. Both jobs will plot without a pause between them.

RESET

Use the RESET key to stop plotter operation in case of emergency, to clear error signals, and to access Special Diagnostics.

▶ **To cause an emergency stop**

Press the RESET key while a job is plotting. The following sequence occurs:

1. GS15^{plus} operation stops immediately.
2. The current job is cleared. All other jobs in the queue remain intact.
3. The GS15^{plus} returns to off-line status, as at power-up.

▶ **To clear an error signal**

Press the RESET key to clear an error (steady tone and flashing lights) after a power-up or plotting failure. (See the "Error Conditions" section.)

▶ **To access diagnostics**

Hold the RESET key at power-up to access additional diagnostics. (See the "Special Diagnostics" section.)

SPECIAL DIAGNOSTICS

In addition to the self-check tests that are part of the power-up sequence, the GS15 ^{plus} plotter can perform other special diagnostics. The steps to access these diagnostics and their functions are outlined below.

► **To access special diagnostics**

1. Hold down the RESET key during power-up.
2. When a steady tone sounds, release the RESET key. There will be two beeps followed by three beeps as the self-check tests are completed. Then the lights above the RUN CONT and RUN SINGLE keys will alternate. These alternating lights mean that RESET was held at power-up and that a special diagnostic can now be performed.
3. Access one of the special diagnostics described next by pressing the slew key noted in the description.

Note: Only one special diagnostic can be accessed at each power-up sequence. To access another diagnostic, turn the plotter power off and then on again (as described above).

Diagnostic Options

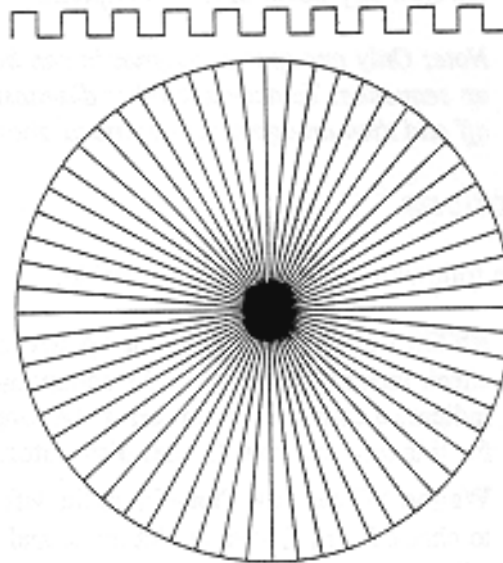
The following diagnostics are available:

- **RS-232 Loop Back** – Press the up arrow key to access. Use to check internal workings of the communications hardware. Beeps indicate a communications error. (A special loop-back test connector is needed for this test. See your Gerber distributor.)
- **Wagon Wheel Test Plot** – Press the left arrow key to access. Used to check X,Y,Z axes in plot mode and to verify operation after adjustments are made.
- **Square/Circle Test Plot** – Press the SLOW key. Use to check X, Y, Z, theta axes in cut mode and to verify operation after adjustments are made.
- **X08 Cut Test** - Press the down arrow key to access. Use to test cut quality.

If the plotter consistently fails a special diagnostic, contact Gerber Field Service Department at 800-828-5406, or fax at 203-645-2448.

WAGON WHEEL TEST PLOT**► To plot the Wagon Wheel test plot**

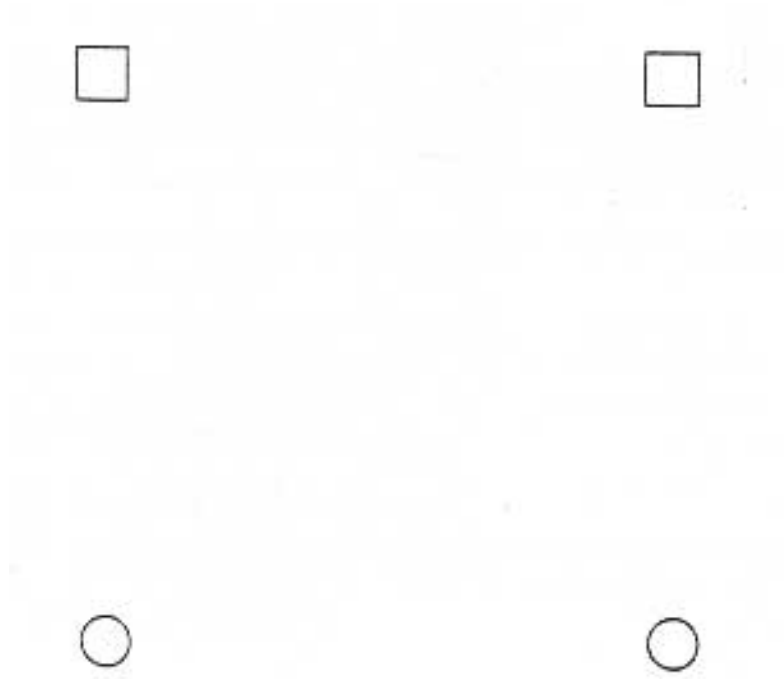
1. To access the Wagon Wheel test plot, hold the RESET key while powering up.
2. Load plotting paper and install the pen holder.
3. Press left arrow key to access diagnostic.
4. Press RUN SINGLE to plot once or RUN CONT to plot continuously.
5. Compare the test plot to the illustration below. If the plot is different, contact Gerber Field Service.



SQUARE/CIRCLE TEST PLOT

► To plot the Square/Circle test plot

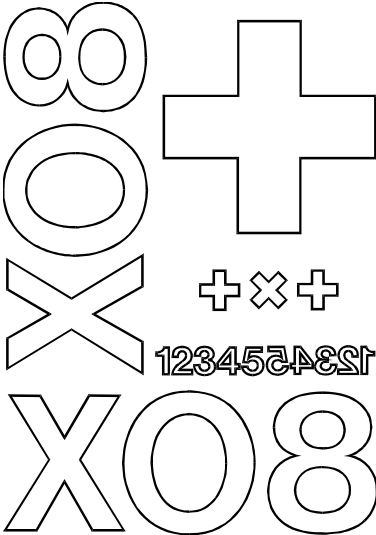
1. To access the Square/Circle test plot, hold the RESET key while powering up.
2. Load vinyl and install the knife holder.
3. Press SLOW key to access diagnostic.
4. Press RUN SINGLE to plot once or RUN CONT to plot continuously.
5. Compare the test plot to the illustration below. If the plot is different, contact Gerber Field Service.



X08 CUT TEST

► **To plot the X08 cut test**

- 1. To access the X08 cut test plot, hold the RESET key while powering up.
- 2. Load vinyl and install the knife holder.
- 3. Press the down arrow.
- 4. Press RUN SINGLE to plot once or RUN CONT to plot continuously.
- 5. Compare the test plot to the illustration below. If the plot is different, contact Gerber Field Service.



ERROR CONDITIONS

The GS15 ^{plus} is programmed to detect several mechanical/electrical error conditions at power-up or during operation. When an error condition occurs, the plotter will turn off power to the stepper motors, flash the RUN lights, and sound a steady tone.

To determine the error condition that stopped plotter operation, follow these steps.

1. Press the RESET key to clear the error signal (flashing lights and steady tone).
2. Press the RUN SINGLE key to display the error code number. The RUN lights flash the same number of times as the error number (once for Error 1, twice for Error 2, etc.). A short beep indicates the end of the error message. Press the RUN SINGLE key again to repeat the message, if desired.
3. Press the RESET key to clear the error display mode and return to the initial off-line status.

ERROR CODES

The error code numbers and suggested operator responses are listed below. Error code numbers are also listed on the *User Reference Card*.

Error Number	Description	Operator Response
1	Program checksum failure	Try power-up again.
2	RAM memory failure	Try power-up again.
3	RS-232 test failure	Try power-up again.
4	Illegal plot data command	Check plot data; resubmit job.
5	Corrupt data	Check plot data; resubmit job.
6	Buffer overflow	Contact Gerber Field Service.
7	UART error	Only occurs as part of self-test; try power-up again.
8	*Z axes lock time-out	Power-up again, holding RESET key
9	Z axis error	Turn off system; check connectors.
10	Theta home failure	Turn off system; check connectors

*Error code occurs in Special Diagnostic mode, if axes remain locked more than 30 minutes.

If the plotter consistently fails the self-check tests, contact Gerber Field Service Department at 800-828-5406, or fax at 203-645-2448.

SERVICE AND MAINTENANCE

This section includes instructions for routine cleaning and lubrication, fuse replacement, and adjustments to keep the GS15^{plus} plotter in good working order.

Cleaning and Lubrication

Routine cleaning and lubrication should be done monthly or after every 160 hours of use, whichever occurs first. Isopropyl alcohol should be used to clean dirty parts.

Note: When alcohol is used, lubricate the parts immediately to prevent corrosion.

Use a light oil such as 3-in-1[®] Oil for all lubrication, except as noted.

TOOL HOLDERS AND CARRIAGE SPINDLE BORE

Note: The spindle bore should be cleaned daily.

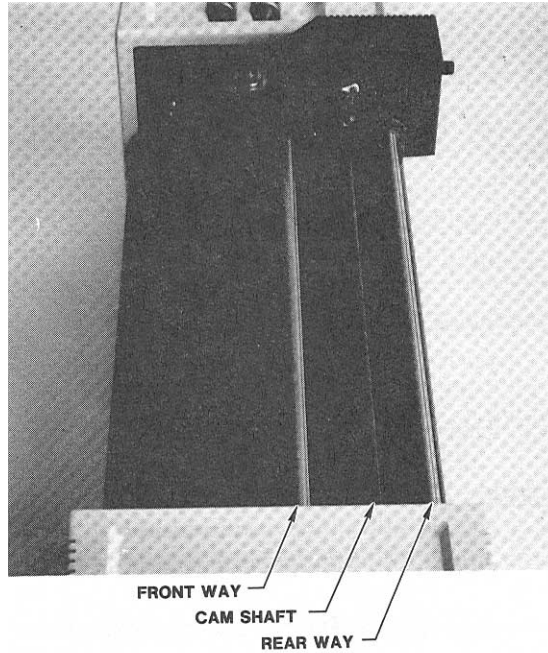
CAUTION: Do not use oil to lubricate tool holders or spindle bore.

There is a very close fit between the pen, knife and pounce wheel holders and the carriage spindle bore. Any dirt or build-up in the bore or on the tool holder restricts motion and can produce inconsistent results.

1. Once a day clean the spindle bore and tool holders with isopropyl alcohol using a clean, dry, lint-free cloth on the tool holders and a clean, dry cotton swab in the bore.
2. Wipe the tool spindle with a soft, lint-free, dry cloth. Dust, hair, silicon, and other debris can greatly affect tool performance and letter quality.

CARRIAGE AND BALL BUSHING

1. Use a lint-free cloth and alcohol to clean any dust or debris from the front way, drive shaft, cam shaft and rear way. Rotate the cam shaft and rear way (the front way does not turn) and move the carriage spindle for access to the entire length of these shafts.



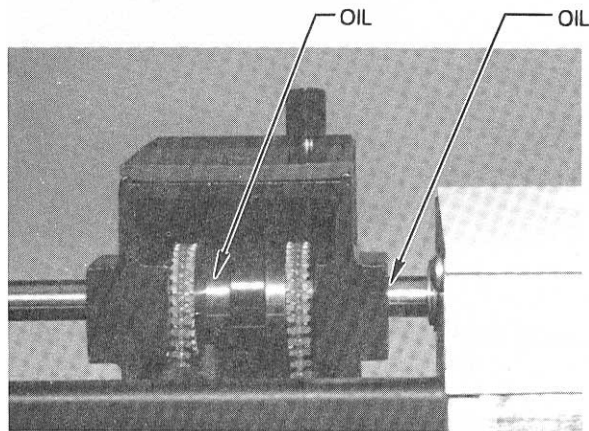
2. The rear way and front way should be given a light coat of oil. This is best done by applying with a lint-free cloth.

3. Tip the plotter on its *left* side.

CAUTION: Do not rest the plotter on its right side. Do not use the way shaft to lift or turn the plotter.

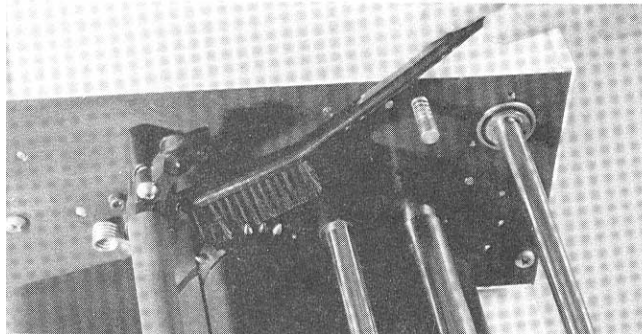
4. Place one or two drops of oil on each side of the ball bushing (as indicated) and in the oil hole.

CAUTION: Do not place any oil on the tangential knife belt.

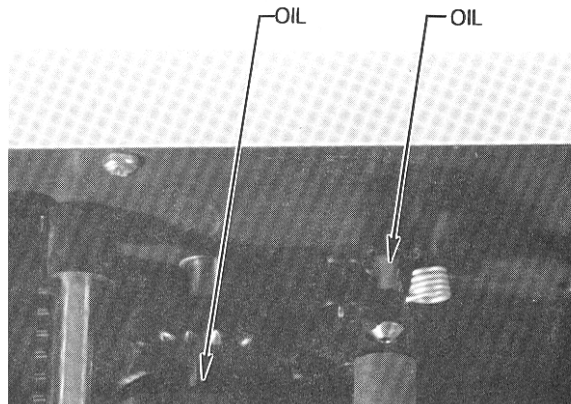


SPROCKETS AND BAIL ARMS

1. Inspect the teeth of the drum sprockets for adhesive buildup from the use of vinyl films.
2. Use a small stiff brush (such as a toothbrush) dipped in alcohol to clean the sprockets.



3. After using alcohol to clean them, immediately dry the sprockets and drum with a lint-free cloth.
4. Place one drop of oil in each pin of the sliding sprocket at the front of the plotter.



5. Slide the sprocket back and forth to work the oil into the bushing.
6. Oil the bail arm pins. **Do not oil excessively.**

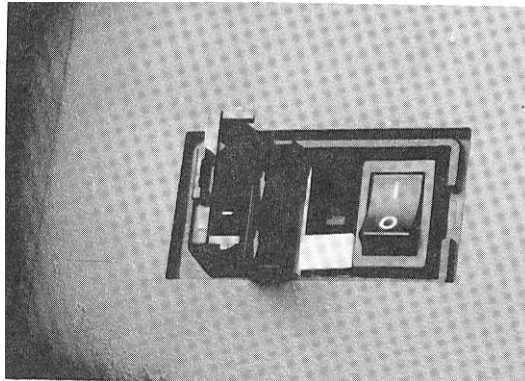
Fuse Replacement

Two spare fuses are included with the GS15^{plus} plotter. The fuse holder is located between the on/off switch and the power cord connector on the rear panel of the plotter.

► To replace the fuse

WARNING: turn off power at the plotter and the system and disconnect from the power supply.

1. Unscrew and remove the RS-232 cable from the rear panel of the GS15^{plus}.
2. Remove the plotter power cord from the socket.
3. Find the small notch at the right edge of the black plastic plate on the rear panel.
4. Insert a flat-tip screwdriver into the notch and flip the black plastic plate open.



5. Pull out the light gray fuse carriers one at a time. Note that each carrier has a white arrow on it and that the arrow points downward (as do the two arrows on the black plastic plate).
6. Examine each fuse. Remove any blown fuse. Install a new fuse of the same type and rating in the same place.
7. Reinsert each carrier, with the arrow pointing downward. Be sure the carriers are inserted all the way. Close the black plastic plate firmly.
8. Reinstall the power cord and the cable connector. Turn the power on at the system and at the plotter.

PLOTTER ADJUSTMENTS

The section contains a troubleshooting guide to help identify possible error conditions according to the symptoms displayed and the recommended adjustment procedures.

It also contains a brief description of plotter adjustment problems that should be handled by contacting Gerber Field Service Department at 800-828-5406.

Note: Gerber warranties do not cover unauthorized repair. Some service procedures require delicate adjustment of plotter parts. If damage to your GS15^{plus} plotter results from improper unauthorized service, repair will NOT be covered by any Gerber warranty.

Troubleshooting Guide

This chart of Z Axis (Tool Height) Adjustment symptoms is designed to help identify the possible problem and the probable adjustment procedure.

CAUTION: Turn off GS15^{plus} plotter and GRAPHIX ADVANTAGE or other sign design system before checking connections or attempting to make any adjustments, unless otherwise directed.

Symptom	Recommended Procedure
No power	<ol style="list-style-type: none"> 1. Check power cable and plugs. 2. Check on/off switches. 3. Check fuse.
Poor Performance	Perform routine cleaning and lubrication.
Plotter Error	Press Reset on the plotter. Verify and resend the job.
Inconsistent Tool/ Material Contact	<ol style="list-style-type: none"> 1. Clean spindle bore and tool holder. 2. Change knife blade. 3. Check for proper Z home. 4. Perform Z Axis Adjustment for Tool Height.
Jagged or Serrated Cutting Edges	<ol style="list-style-type: none"> 1. Replace the knife blade. 2. Check for proper theta home. If improper, do theta adjustment
Closure Problem	<p>Check in this order:</p> <ol style="list-style-type: none"> 1. Material alignment in sprockets 2. Blade position in knife holder. <p>If the condition still occurs in NORMAL mode (see <i>GRAPHIX ADVANTAGE Reference</i>), make adjustments in this order:</p> <p>Y Axis Backlash Adjustment. Drum End Play Adjustment.</p> <p>If the condition occurs when AXIS SWAP in the GRAPHIX ADVANTAGE is on, perform the X Axis Adjustment.</p>

Z Axis (Tool Height) Adjustment

SYMPTOMS

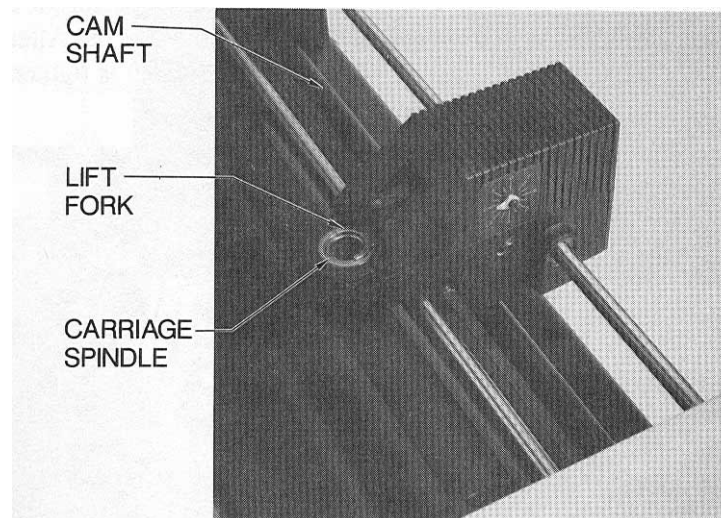
- The tool does not touch the material or touches only between characters.
- The knife does not cut deeply enough.
- The tool height changes in the middle of a job.

OBJECTIVE

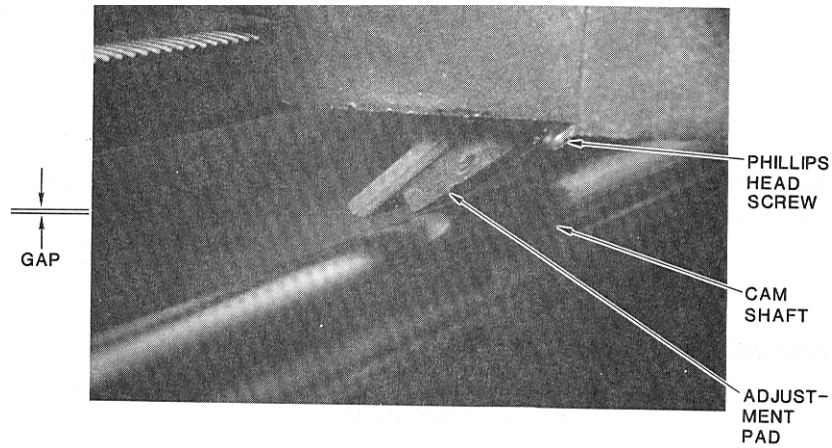
To set the height of the lift fork for consistent contact of tool holder with material.

ADJUSTMENT PROCEDURE

1. Turn off power at the plotter.
2. Adjust the pen using the pen height gage. (See “Pen Holder and Pens”).
3. Install the pen holder in the carriage spindle.
4. Rotate the cam shaft by hand counter-clockwise until the bottom of the lift fork touches the top of the carriage spindle. See below.



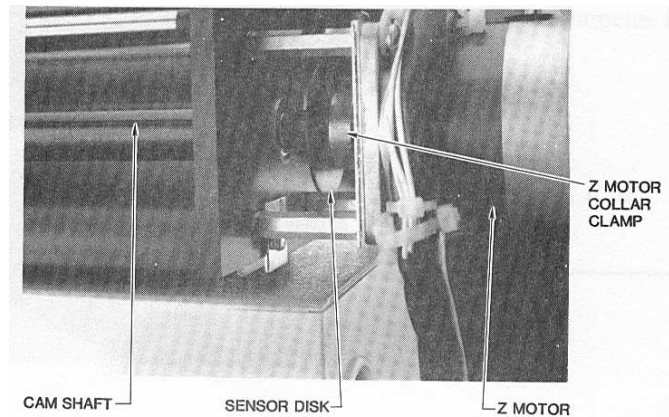
5. Locate the adjustment pad. There should be a gap of .003" to .010" (about the thickness of a piece of paper) between the pad and the cam shaft. If not, go to step 11.



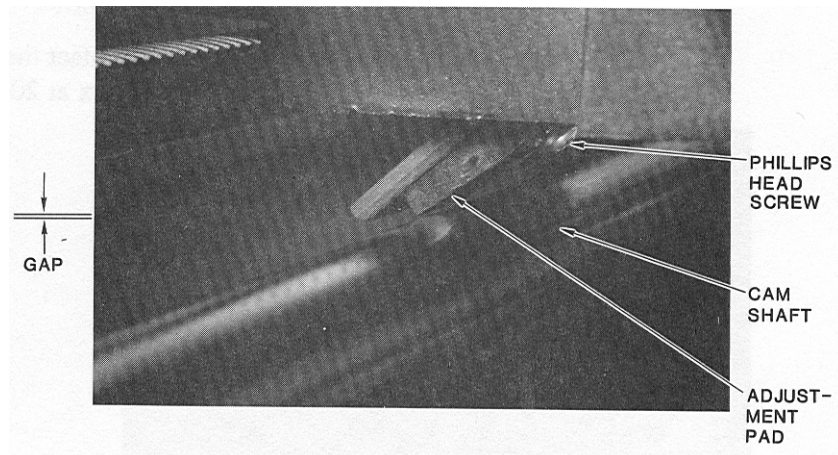
6. If the gap is correct, remove the rear cover (with molded tool rack). Lay the plotter on its *left* side. Remove (2) Phillips head screws from the bottom edge. Stand the plotter upright. Lift the rear cover straight up.

CAUTION: Do not rest the plotter on its right side. Do not use the way shaft to lift or turn the plotter.

7. Locate the Z motor collar clamp between the sensor disk and the drive motor at the end of the cam shaft. Use the Allen wrench to ensure that the set screw in the collar clamp is tightened securely.



8. Replace the rear cover.
9. Load paper in the plotter.
10. Turn on power. Run a multiple line test plot.
11. If symptoms persist, turn the plotter power off.
12. Rotate the cam shaft by hand until the lift fork is at its lowest position. Continue to rotate the cam shaft in the same direction. Do this until the lift fork starts to lift upward from the spindle. Then rotate the cam shaft back until it is approximately halfway between the highest and lowest positions.
13. At its lowest position, the lift fork should touch the top of the spindle. If the lift fork appears to be adjusted correctly, go to step 17.
14. If the lift fork does not touch the top of the spindle, or if it does not lift up when the cam shaft is rotated to either side, locate the screw in the center of the adjustment pad.



15. Loosen the screw in the center of the adjustment pad with a Phillips head screwdriver.

If the lift fork does not touch the top of the spindle, slide the adjustment pad upward.

If the lift fork remains touching the spindle when you rotate the cam shaft in either direction from its lowest position, slide the adjustment pad downward.

16. Retighten the adjustment pad screw.
17. Turn off power at the plotter.
18. Power-up the plotter while holding the RESET key. Load paper and install pen holder.
19. Press the left arrow key to access the Wagon Wheel Test Plot. Press either RUN key to plot. Inspect your test plot by comparing to the Wagon Wheel Test Plot illustration.
20. Turn off power at the plotter.
21. Power-up the plotter while holding the RESET key. Load vinyl and install knife holder.
22. Press the SLOW key to access the Square/Circle Test Plot. Press either RUN key to plot. Inspect your test plot by comparing to the Square/Circle Test Plot illustration.
23. If symptoms persist, return to step 1 or contact the Gerber Field Service Department at 800-828-5406, or fax at 203-645-2448.

Theta Axis (Tool Rotation) Adjustment

SYMPTOMS

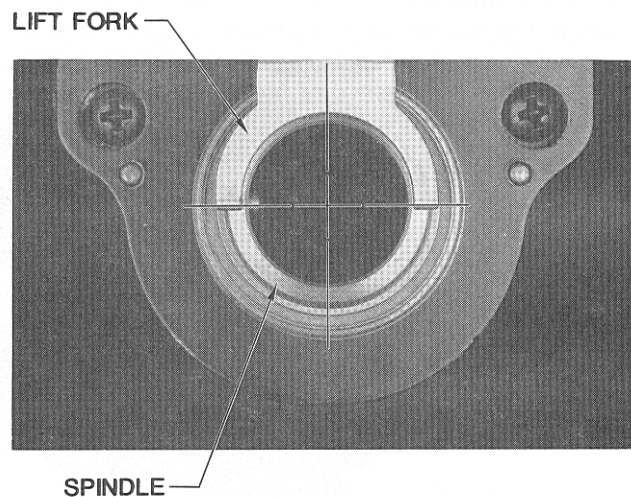
- Letters have jagged edges.
- Letters have closure problems of less than 1/32".
- The tool loses position in the middle of a job.

OBJECTIVE

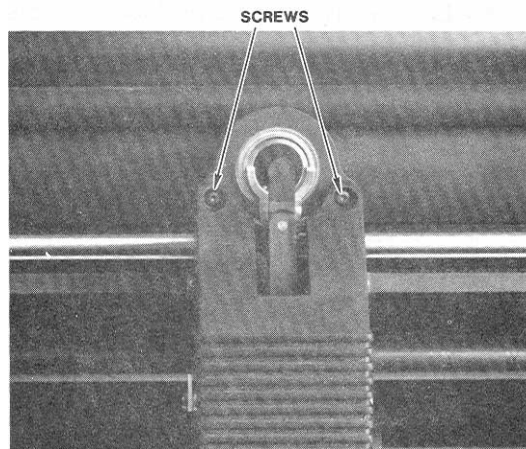
To center lift fork over carriage spindle bore; to align tool holder in carriage spindle.

ADJUSTMENT PROCEDURE

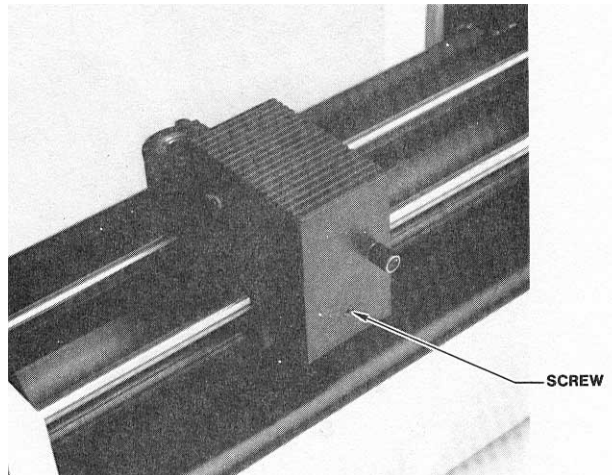
1. Remove any tool from the carriage spindle.
2. Turn on power at the plotter.
3. After the carriage spindle initializes, look down at the lift fork and carriage spindle from directly above. The half circle of the lift fork should be centered with respect to the carriage spindle. If it is, go to step 12.



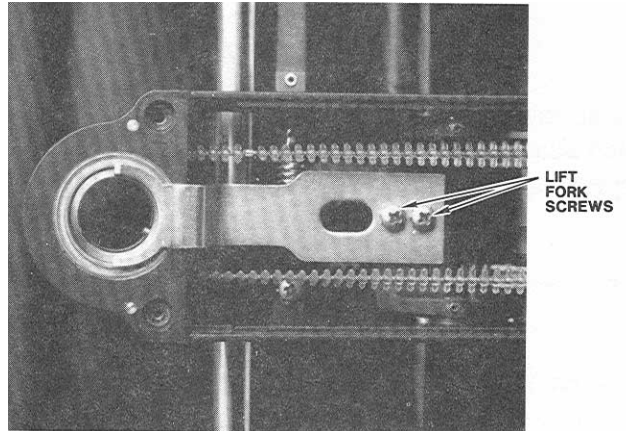
4. If the lift fork is not centered, use the Allen wrench from the tool kit to remove the two screws (shown below) at the front of the tool force housing cover.



5. Use a Phillips head screwdriver to remove the cover screw at the rear of the tool force housing (see below). Remove the housing cover.



6. Rotate the cam shaft by hand until the lift fork is at the point closest to the spindle.
7. Locate the two screws which hold the lift fork in place. Loosen these screws but do not remove them.



8. Move the lift fork until it is correctly aligned, with the half circle of the lift fork centered with respect to the carriage spindle.
9. Tighten the two screws.
10. After tightening the screws, make sure the lift fork is correctly aligned. If it is not, return to step 7.
11. If the lift fork is aligned correctly, load vinyl in the plotter. Select AXIS SWAP mode and cut a test plot.
12. If symptoms persist, turn the plotter power off.
13. Install the knife in the carriage spindle.

14. Turn on the plotter power.

After the spindle initializes, look under the carriage to note the position of the blade as it sits in the carriage spindle.

- The blade should be parallel with the two forks of the lift fork.
- The tip of the blade should point toward the *left* side of the plotter.
- The spindle pin should be at 12:00 relative to the front of the plotter.

15. If the tool is aligned correctly, go to step 25.

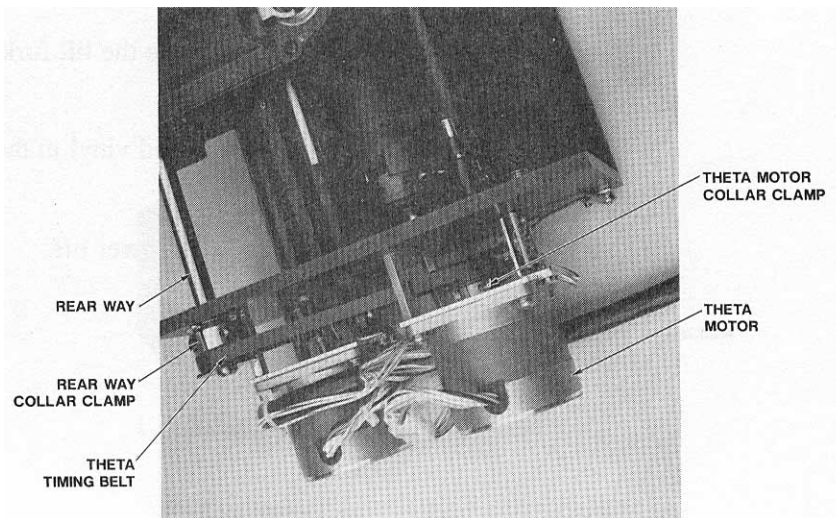
16. If the tool is not aligned correctly, turn off the plotter power.

17. Remove all tools and materials from the plotter.

18. To remove the rear cover (with molded tool rack), lay the plotter on its *left* side. Remove (2) Phillips head screws from the bottom edge. Stand the plotter upright. Lift the rear cover straight up.

CAUTION: Do not rest the plotter on its right side. Do not use the way shaft to lift or turn the plotter.

19. Locate the theta motor collar clamp. Use the Allen wrench to ensure that the set screw in the collar clamp is tightened securely.



20. Power on the plotter. The Theta axis is locked for approximately 3 minutes.
21. Locate the rear way collar clamp. Use the Allen wrench to loosen the collar clamp.
22. Rotate the knife holder by hand until the blade is properly aligned, as explained in step 15. Tighten the clamp.
23. Turn the power off to unlock the theta axis.
24. Press and turn the knife holder out of alignment. Power-up the plotter to the normal off-line state. The blade in the knife holder must return to the correct alignment. If not, turn the plotter power off. Return to step 20.

Note: You may need to repeat steps 20 through 24 several times to obtain correct alignment.

25. When the blade is correctly adjusted, power-up the plotter while holding the RESET key. Load paper and install knife holder.
26. Press the down arrow to run the X08 test cut. Press either RUN key to cut. Inspect your test cut.

If symptoms persist, call Gerber Field Service Department at 800-828-5406, or fax at 203-645-2448.

X Axis Belt Adjustment

SYMPTOMS

Text cut in AXIS SWAP mode has closure problems.

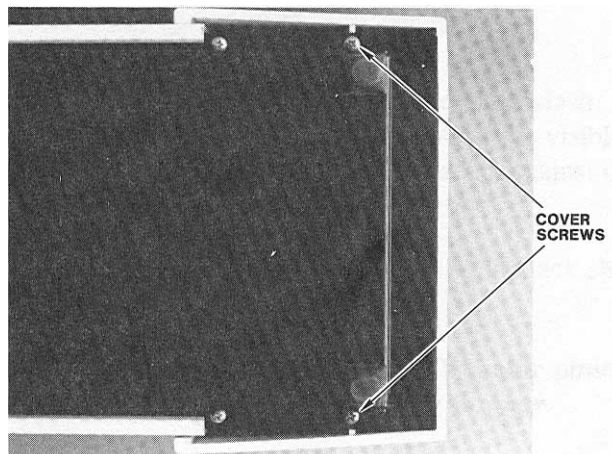
OBJECTIVE

To adjust the tension of the X motor belt to produce good letter quality in AXIS SWAP mode.

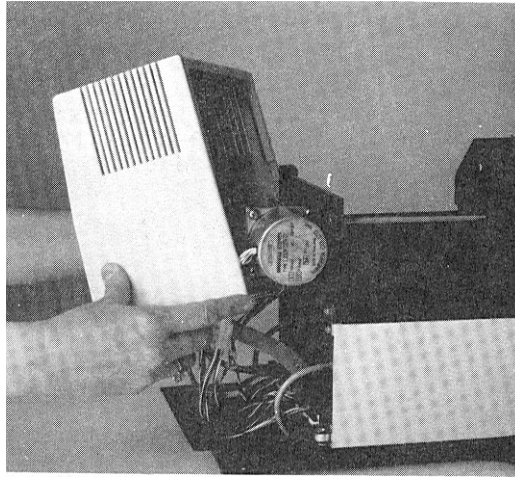
ADJUSTMENT PROCEDURE

1. Turn the plotter power off.
2. Remove all tools and material from the plotter.
3. Open the bail arms.
4. To remove the front cover, lay the GS15^{plus} on its *left* side and remove the (2) Phillips head screws on the bottom edge closest to the front of the plotter. Then stand the plotter upright.

CAUTION: Do not rest the plotter on its right side. Do not use the way shaft to lift or turn the plotter.

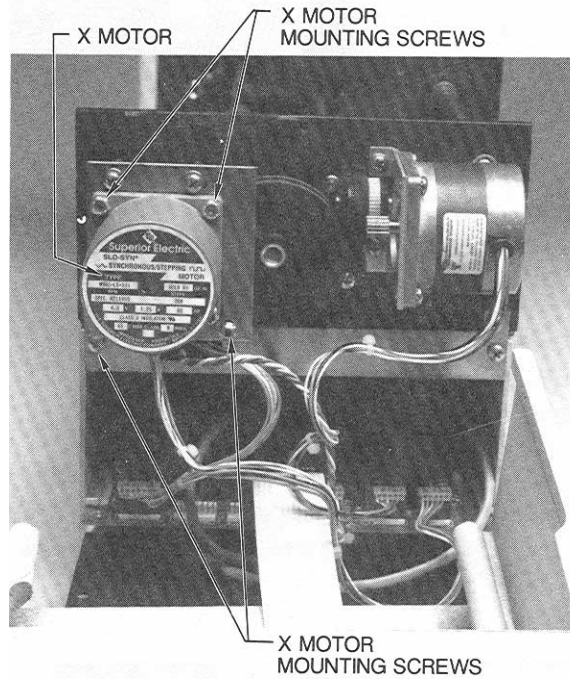


5. Pull the front cover upwards and, at the same time, pull one side away from the plotter frame. *Be careful not to lift the cover so high that the front cable disconnects.* Pivot the front cover to the side of the plotter.



6. Locate the X belt. Press gently on the belt. There should be little or no spring. If the belt is loose or springy, go to step 7.

7. If the X motor belt requires adjustment, locate the four X motor mounting screws (Phillips head screws). Loosen these screws, which hold the X motor bracket against the standoffs on the side plate.
8. Pull the motor up until the belt becomes tight.



9. Tighten the four screws.
10. Turn on power at the plotter.
11. Load vinyl in the plotter and install the knife holder. Select AXIS SWAP mode and cut a test plot.
12. If symptoms persist, repeat the Adjustment Procedure.
13. Replace the front cover.

Y Axis Backlash Adjustment

SYMPTOMS

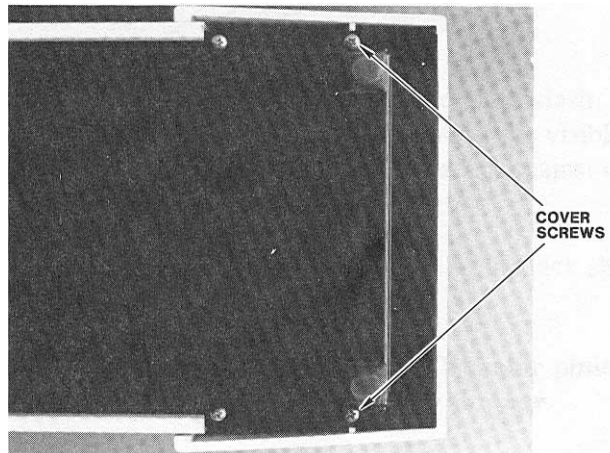
Text cut in NORMAL mode has closure problems.

OBJECTIVE

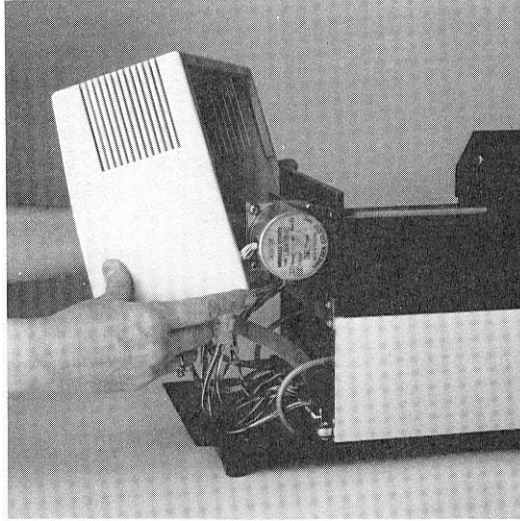
To adjust the mesh of the jack shaft gear with the Y motor pinion to produce good letter quality in NORMAL mode.

ADJUSTMENT PROCEDURE

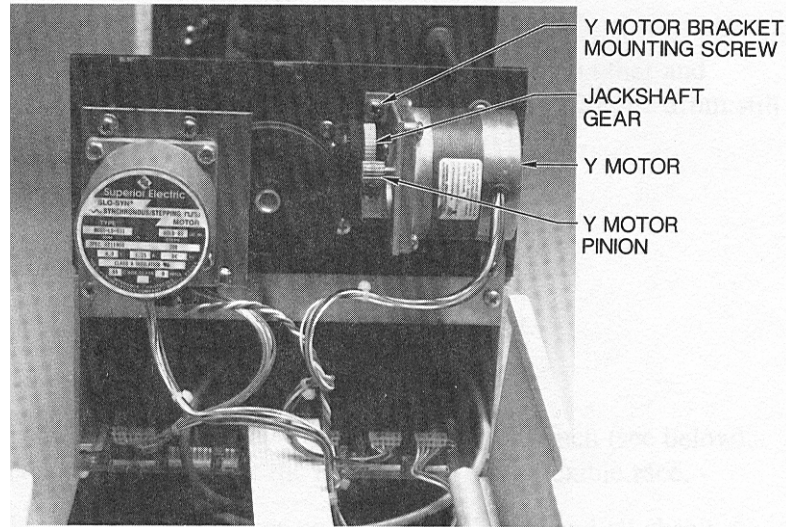
1. Turn the plotter power off.
2. Remove all tools and material from the plotter.
3. To remove the front cover, lay the GS15 ^{plus} on its side and remove the (2) Phillips head screws on the bottom edge closest to the front of the plotter. Then stand the plotter upright.



4. Pull the front cover upwards and, at the same time, pull one side away from the plotter frame. Be careful not to lift the cover so high that the front panel cable disconnects. Pivot the cover to the side of the plotter.



5. Locate the jack shaft gear and the Y motor pinion. These two gears are meshed together. Gently attempt to rotate the jack shaft gear. With one finger on the motor pinion, notice if the jack shaft gear moves while the pinion remains stationary. If the pinion moves with the jack shaft gear so there is no backlash, go to the section for Drum End Play Adjustment.



6. If the Y motor pinion remains stationary so there is backlash, locate the two Phillips head screws. (Only one screw is visible.) Loosen these screws which hold the Y motor bracket against the side plate.
7. Apply light pressure upward to tighten the mesh of the jack shaft gear and the Y motor pinion.

CAUTION: Forcing the jack shaft gear and Y motor pinion to mesh too tightly can cause the jack shaft gear to wear prematurely.

If you adjust the mesh too loosely, poor letter quality will result. However, it is safer to tighten the mesh gradually, cut a test plot, then tighten again than to adjust the mesh too tightly.

8. While holding the motor bracket in place, tighten the two bracket screws.
9. Turn the plotter power on.
10. Load vinyl in the plotter, install the knife holder and cut a test plot.
11. If symptoms persist, return to step 1.
12. Replace the front cover.

Drum End Play Adjustment

SYMPTOMS

- Text cut in NORMAL mode has closure problems.
- Y axis backlash check procedure shows no problem.

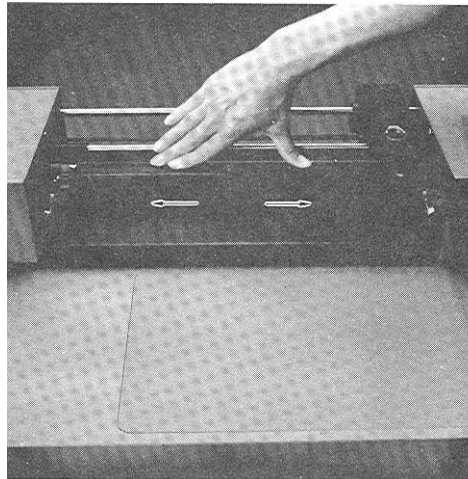
OBJECTIVE

To slide the plotter drum and X Axis gear toward each other and clamp them in position to remove end play; to make sure the drum still rotates without binding.

ADJUSTMENT PROCEDURE

1. Turn the plotter power off.
2. Remove all tools and material from the plotter.
3. Open the bail arms to free drum.
4. There should be end play of about .003 to .005 inch (see below). This play exists because the ball bearing has a flexible race.

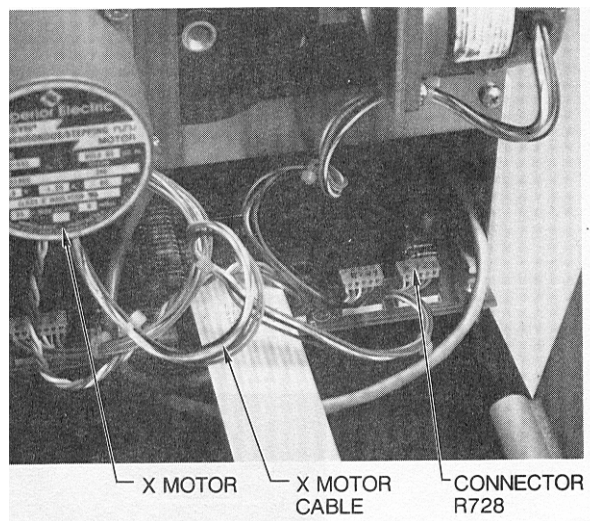
If the amount of play does not exceed .005 inch and all check procedures in this section have failed to reveal the cause of the plotter's symptoms, contact Gerber Field Service Department at 800-828-5406, or fax at 203-645-2448.



5. If there is more than .003 to .005 inch of play, remove the front cover. Lay the GS15^{plus} on its *left* side and remove the (2) Phillips head screws on the bottom edge closest to the front of the plotter. Then stand the plotter upright.

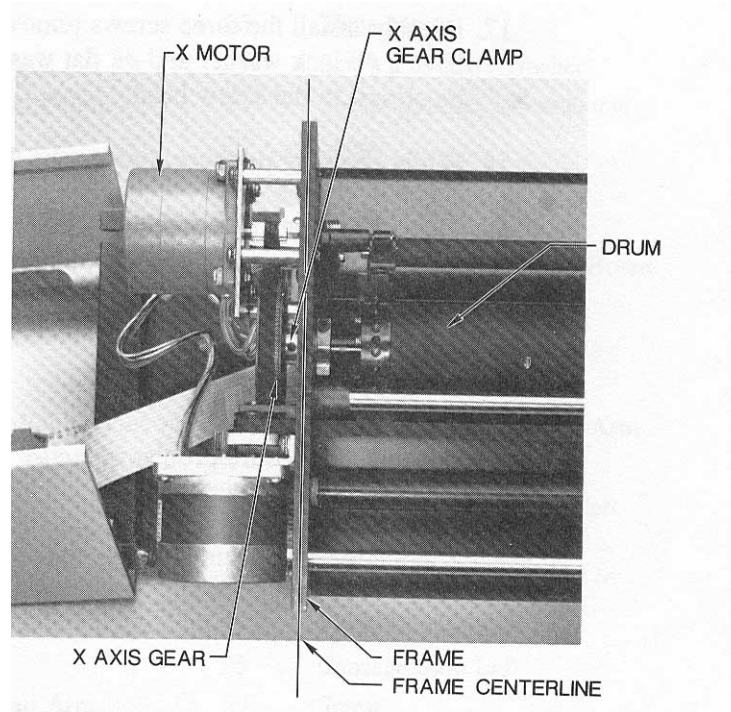
CAUTION: Do not rest the plotter on its right side. Do not use the way shaft to lift or turn the plotter.

6. Pull the front cover upwards and, at the same time, pull one side away from the plotter frame. *Be careful not to lift the cover so high that the front panel cable disconnects.* Pivot the cover to the side of the plotter.
7. Locate connector R728 at the end of the X motor cable. Disconnect connector R728.



8. Locate the three Phillips head screws which hold the X motor bracket against the standoffs on the side plate. Remove these screws.
9. Remove the X motor.
10. Locate the outside drum clamp on the X axis gear. Use an Allen wrench to loosen the clamp.

11. Locate the centerline of the frame. Slide the plotter drum and the X axis gear toward the centerline of the frame and each other. Tighten the X axis drum clamp.



12. Slowly rotate the X axis gear two revolutions. Then rotate the X axis gear a quarter turn in the opposite direction.
13. Gently try to push the drum from end to end. If the adjustment is correct, the play will be between .003 and .005 inch.
14. Spin the drum. If the adjustment is correct, the drum will spin without binding.
15. If the tests in either step 13 or 14 fail, repeat steps 10 through 13 until the drum spins without binding *and* there is no end play.

Note: You may need to repeat this procedure several times to obtain correct adjustment.

16. After the adjustment is correct, reinstall the X motor. To do so, place the X motor on its standoff. Make sure the cable extends upward toward the ceiling.
17. Loosely install the three screws removed in step 8. Each must have a #8 lock washer and #8 flat washer. The lock washer must be closest to the screw head.
18. While applying pressure, tighten the three screws.
19. Turn on power to the plotter.
20. Load vinyl in the plotter, install the knife holder and cut a test plot. If closure problems persist, repeat the Adjustment Procedure from step 1.
21. If no closure problem appears, select AXIS SWAP mode. Cut a test plot. If closure problems persist, repeat the X Axis Backlash Adjustment Procedure.
22. If no closure problem appears, reinstall the front cover.

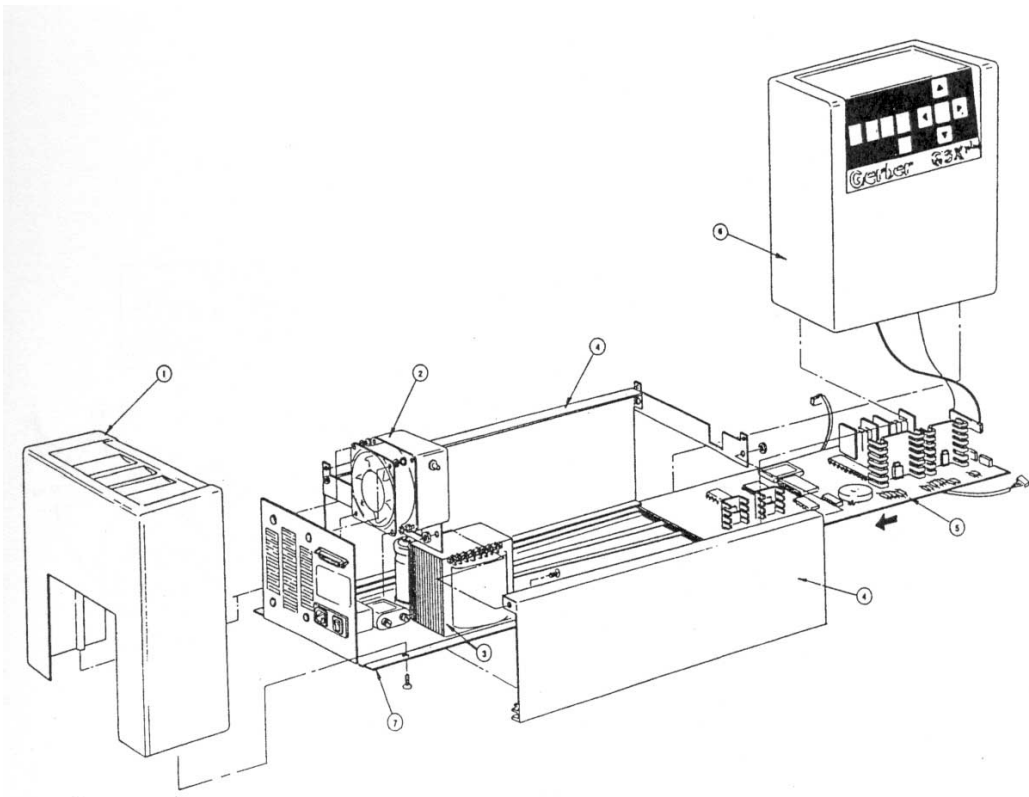
GS 15^{plus} Plotter Assembly

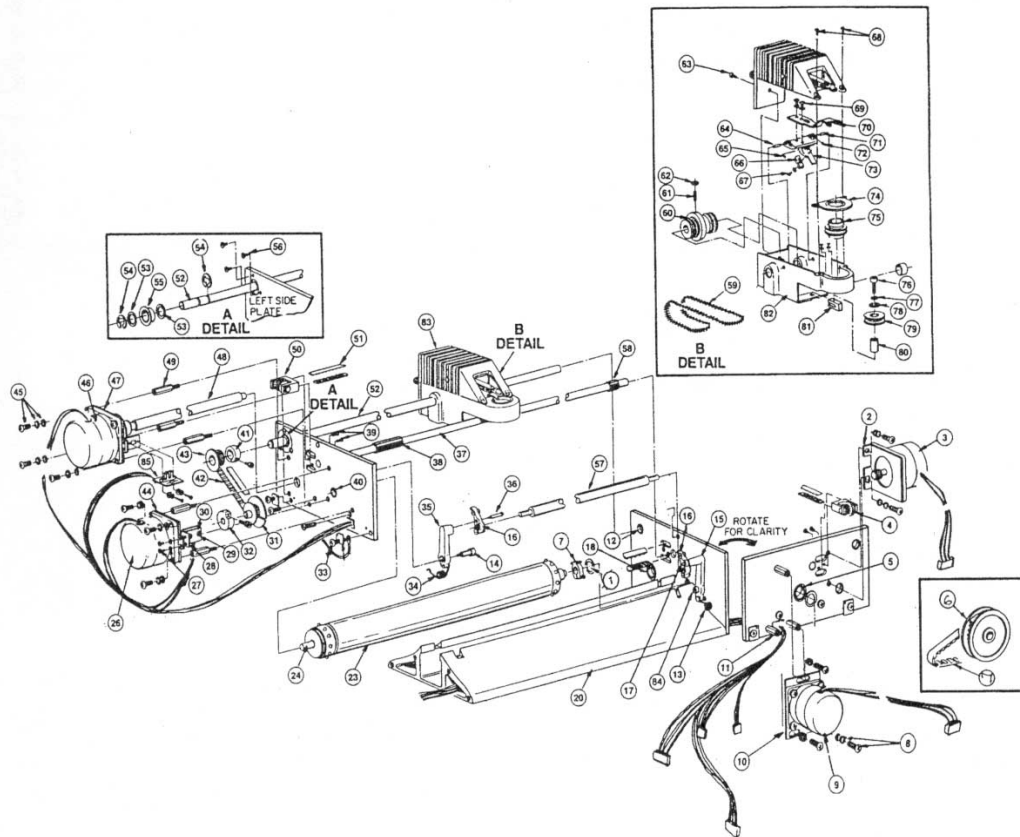
Note: The numbers refer to drawings on subsequent pages.

1	Spacer	26	Theta Motor
2	Motor Bracket - Y Axis	27	Screw P25204A Washer
3	Motor, Connector and Pinion Y Axis	28	Sensor Bracket Subassembly
4	Jackshaft Pulley and Bracket Assembly	29	Screw Washer Washer
5	Bearing	30	Wired Photo Interrupter Board
6	Pulley Modification	31	Theta Pulley
7	Belt Timing X Axis	32	Clamp
8	Screw	33	Screw
9	Motor and Pulley	34	Sprint (Part of Left Bail Arm Assembly PP39772C)
10	X Axis Motor Plate Assembly	35	Left Bail Arm (Part of Left Bail Arm Assembly)
11	Standoff	36	Shoulder Screw (Long)
12	Bushing	37	Front Way
13	Spring (Part of Right Bail Arm Assembly P39771C)	38	Carriage Stop Left
14	Bail Arm Screw	39	Screw
15	Bail Arm (Part of Bail Arm Assembly)	40	Bushing
16	Paper Bail and Wheel Assembly (Part of Right and Left Bail Arm Assembly)	41	Clamp
17	Screw (Part of Right Bail Arm Assembly)	42	Belt Timing Theta Axis
18	Bushing	43	Rearway Pulley
20	Plotter Base and Side Plate Assembly	44	Motor Bracket
23	Drum and 1st Sprocket Assembly	45	Screw (Bracket to Standoff) Screw
24	Drum Shaft (Part of item 23)	46	Washer Nut Special Motor to Bracket
		47	Motor Z Axis Cam Motor Bracket Assembly

48	Sensor Disk and Cam Assembly	74	Bearing Cap (Part of item 82)
49	Standoff	75	Spindle Assembly
50	Idler Pulley - Bracket Assembly	76	Screw
51	Belt Assembly Y Axis	77	Lock Washer
52	Rearway Grooved	78	Washer
53	Spacer	79	Front Idler Pulley Assembly
54	Retainer	80	Front Idler Sleeve
55	Bearing	81	Nut
56	Screws	82	Vertical Lift Carriage and Bearing Cap
57	Roller Assembly	83	Tool Force Housing Assembly
58	Carriage Stop Right	84	Bail Arm Screw (Same as item 14)
59	Sprocket Belt	85	Wired Photo Interrupter Board
60	Ball Bushing Assembly		
61	Adjusting Screw (Part of Ball Bushing Assembly)		
62	Adjust Screw Ring (Part of Ball Bushing Assembly)		
63	Screw		
64	Dowel Pin		
65	Screw		
66	Adjusting Pad		
67	Screw Washer		
68	Screw		
69	Screw Flat Washer Lock Washer		
70	Lifter Bar		
71	Dowel Pin (Same as item 64)		
72	Screw (Same as item 65)		
73	Tool Lifter Pivot		

)





GS15 ^{plus} PLOTTER USER REFERENCE CARD

KEY/FUNCTION	DESCRIPTION
RUN SINGLE Key	
Plot	Press RUN SINGLE to plot single jobs. The GS15 ^{plus} returns to the off-line status (as at power-up) after each job and waits for the operator to press RUN SINGLE key again to plot the next job.
Controlled Stop	Press either RUN key to stop plotting at the next logical break in the program and check current job. <i>Do not use slew keys or the orientation for the current job will be lost.</i>
RUN CONT Key	
Plot	Press RUN CONT to plot two or more jobs continuously. The GS15 ^{plus} plots one job after the other without pausing between them and remains on-line until either RUN key is pressed.
Controlled Stop	Press either RUN key to stop plotting at the next logical break in the program and check current job. <i>Do not use slew keys or the orientation for current job will be lost.</i>
Slew Keys (Arrow Keys)	The arrow and SLOW keys do not function while a job is plotting, during an error condition, or while a RUN light is on, even if the plotter is idle.
	Press arrow keys to position carriage and material between jobs: <ul style="list-style-type: none"> ■ Up and down arrow keys move the carriage spindle between the rear and the front of the plotter. ■ Left and right arrow keys rotate the drum and feed material through the plotter or back toward the roll holder.
Slow Key	Hold the SLOW key while simultaneously pressing any Arrow key. This slows carriage movement for exact positioning.
Reset Key	
Emergency Stop	Press RESET key to stop GS15 ^{plus} operation, clear the current job from the buffer, and return the plotter to off-line status.
Clear	Press the RESET key to stop the error signal after a power-up or plotting failure. (See Error Conditions Section.)
Access	Hold the RESET key at power-up to access additional diagnostics. (See Special Diagnostics Section.)

GS15 ^{plus} PLOTTER ERROR CODES

ERROR CODE	DESCRIPTION	OPERATOR RESPONSE
1	Program checksum failure	Try power-up again.
2	RAM memory failure	Try power-up again.
3	RS-232 test failure	Try power-up again.
4	Illegal plot data command	Check plot data; resubmit job.
5	Corrupt data	Check plot data; resubmit job.
6	Buffer overflow	Call Gerber Field Service.
7	UART error	Occurs as part of self-test; try power-up again.
8	*Z axis lock time-out	Power-up again while holding down the RESET key
9	Z axis error	Turn off the system; check connectors.
10	Theta home failure	Turn off the system; check connectors.

Note: If the GS15 ^{plus} consistently fails the self-check tests, contact Gerber Field Service Department.

SUGGESTED GS15 ^{plus} TOOL FORCE SETTINGS

Material	Recommended Starting Tool Force	Tangential Knife Blade	GS Plotter Swivel Knife
Controltac 180 Delux 210 Gold/Silver Dusted Crystal 210 Florescent 210 Scotchcal™ 220 Translucent 230	.05-1	30 °	GS 35°
Gerber Cal® Gerber IP Plus GerberMask™ I & II Heat Transfer Flock Hot Split Plastisol Metalized Polyester	1	30°	GS 35°
Screen Print Static Cling	.05	30°	GS 35°
Sandblast 521 Sandblast 522	4-5	45° or 60°	

INDEX

- Add Plotter 12
- Adjustment
 - drum end play 73
 - theta axis (tool rotation) 61
 - X axis backlash..... 66
 - Y axis backlash..... 69
 - Z axis (tool height) 56
- Arrow keys 35
- Axis belt adjustment 66
- Axis backlash adjustment..... 69
- Bail arms..... 52
- Blade..... 27, 30
 - damage..... 27
 - replacement..... 30
 - replacement**..... 31
 - wear 27
- Cap, tool 21
- Carriage spindle
 - bore 49, 61
- Cleaning, routine 50
- Closure problems..... 61, 66, 69, 73
- Communication parameters 8
- Conventions 4
- Cover, plotter
 - front removal 66, 69, 74
 - rear removal 58
- Customer Support 2
- Cut test, X08..... 45
- Delete plotter 12
- Diagnostic options 42
- Diagnostics 40, 41
- Drum end play adjustment..... 73
- Drum, rubber 15
- Error
 - codes 48
 - signal..... 33, 47
- Front panel..... 34
- Fuse replacement..... 53
- INIT KNIFE key..... 36
- Initial setting at power-up 10, 33
- Installation
 - pen holder 22
 - plotter 7
 - pounce wheel holder 25
- Jagged edges, character 61
- Key, front panel..... 34
 - Arrow keys 35
 - INIT 36
 - RESET 40
 - RUN CONT..... 38, 43
 - RUN SINGLE 37, 38, 43
 - SLEW (*Also see Arrow keys*) ... 35
 - SLOW..... 42
 - SLOW..... 35
 - SWIVEL..... 36
- Keyway..... 22
- Knife blades
 - changing 30
- Knife blades, changing..... 29
- Knife holder 56
- Lift washer, tool 22
- Light (s), front panel 38
- Lubrication, routine..... 50, 51
- Material
 - inconsistent tool contact with... 57
 - loading..... 15
 - tool force settings 19
- Package Contents 5
- Pen
 - height gage 23
 - replacement 23, 24
- Pen holder..... 22, 23
- Pen Holder
 - installation 22
- Perforate (See Pounce)..... 25
- Plot

continuous exercise	39	settings.....	29
single exercise	38	Tool height adjustment.....	57
Square/Circle test plot.....	42, 44, 45, 60	Tool rack, molded	21, 25
Wagon Wheel test plot	43, 60	Tool rotation adjustment	61
Plotter	56	Troubleshooting	56
adding plotter.....	12	Vinyl.....	15
assign default plotter	13	Wagon Wheel test plot.....	43, 60
delete plotter.....	12	X axis	
installation	7	backlash adjustment	69
speed.....	25, 26	X, Y, theta axes	
Plotter adjustment.....	57, 61, 66, 69, 73	lock time-out	48
Pounce wheel.....	25	X, Y, Z axes	
holes, aligned.....	25	lock time-out	48
holes, off-center.....	25	Y axis	
replacement.....	26	backlash adjustment	69
Pounce wheel holder	25	Z axis	
Pounce Wheel Holder		tool height adjustment.....	56
installation	25	tool height adjustment.....	57
Power cord.....	9, 53		
Power-up.....	10		
RESET key held at	40		
RESET key	40		
Roll holder, material.....	15		
RS-232 loop-back	42		
RUN CONT key	38		
RUN SINGLE key.....	37		
Slew keys.....	35, 39		
SLOW key	35		
Sprockets	16, 52		
Square/Circle test plot	42, 44, 60		
Stop, controlled	37, 39		
Stop, emergency	40		
Swivel knife.....	1, 28, 31, 36		
Tangential knife.....	1, 28, 36		
Theta axis			
adjustment	61		
Tone	33		
Tool force			
adjustment	19, 20		
dial	19		
housing	62		
pouncing	26		

Gerber

Scientific Products

 A Gerber Scientific Company

151 Batson Drive Manchester, CT 06040

U S A



P57347A Rev B